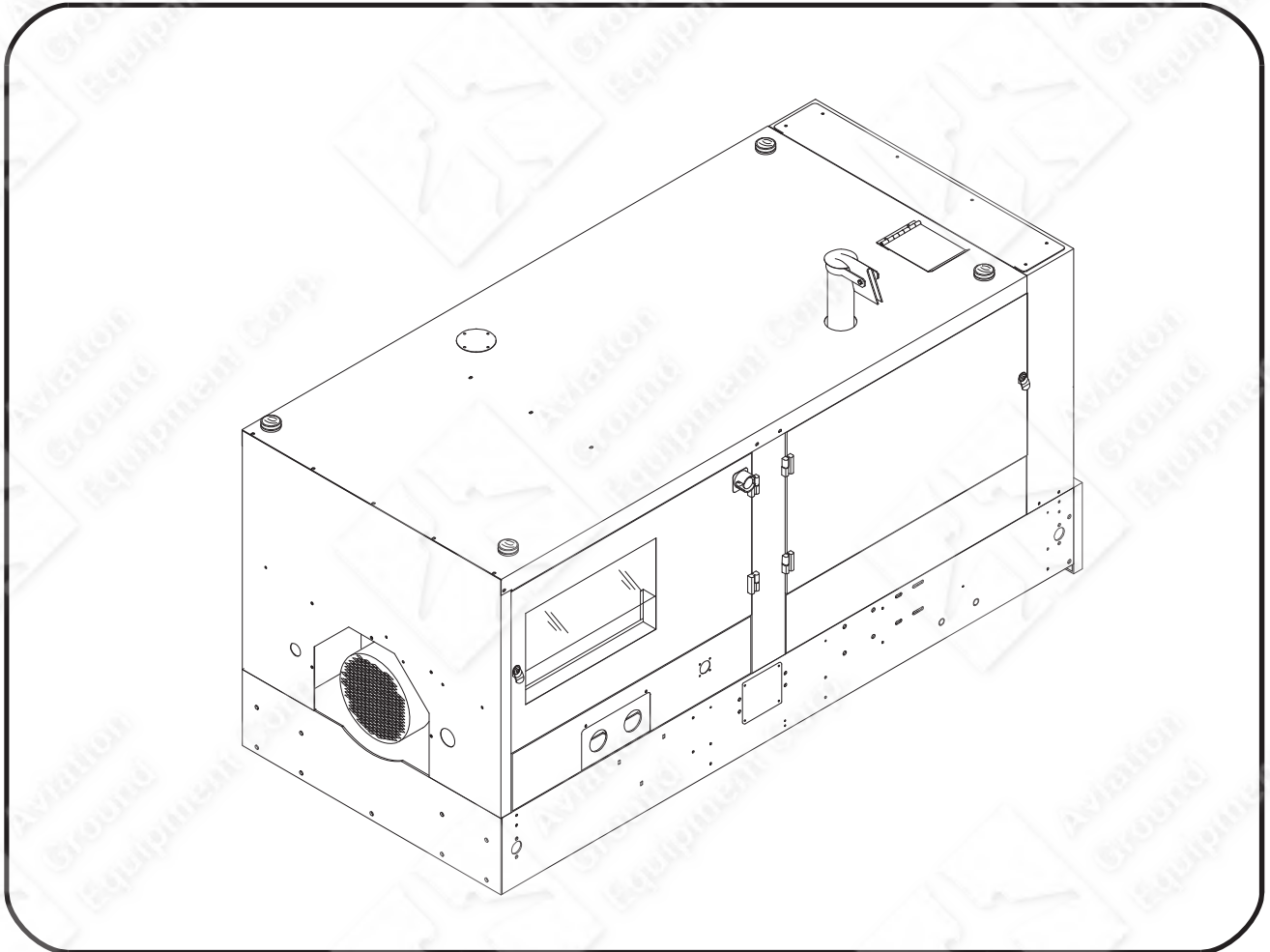




**Aviation
Ground
Equipment Corp.**

HOBART[®]
GROUND POWER

Illustrated Parts List



Model 90CU24 Generator Sets Series 500392A

324 South Service Road, Unit 104 Melville NY 11747
TEL (631) 815-5520 • FAX (631) 815-5526
E-mail: sales@aviationgroundequip.com
Web: www.aviationgroundequip.com

Chapter 1 Illustrated Parts List

Section 1. Introduction

1. General

The Illustrated Parts List identifies, describes, and illustrates main assemblies, subassemblies, and detail parts of a Diesel Engine-Generator Set manufactured by Hobart Brothers Company, Ground Power Division, Troy, Ohio.

2. Purpose

The purpose of this list is to provide parts identification and descriptive information to maintenance and provisioning personnel for use in provisioning, requisitioning, purchasing, storing, and issuing of spare parts.

3. Arrangement

The Illustrated Parts List is arranged as follows:

Section 1 - Introduction

Section 2 - Parts List

Section 3 - Numerical index

4. Explanation of Parts List

a. Contents

The parts list contains a breakdown of the equipment into assemblies, subassemblies, and detail parts. All parts of the equipment are listed except:

- (1) Standard hardware items (attaching parts) such as nuts, screws, washers, etc., which are available commercially.
- (2) Bulk items such as wire, cable, sleeving, tubing, etc., which are also commercially available.
- (3) Permanently attached parts which lose their identity by being welded, soldered, riveted, etc., to other parts, weldments, or assemblies.

b. Parts List Form

This form is divided into six columns. Beginning at the left side of the form and proceeding to the right, columns are identified as follows:

(1) FIGURE-ITEM NO. Column

This column lists the figure number of the illustration applicable to a particular parts list and also identifies each part in the list by an item number. These item numbers also appear on the illustration. Each item number on an illustration is connected to the part to which it pertains by a leader line. Thus the figure and item numbering system ties the parts lists to the illustrations and vice versa. The figure and index numbers are also used in the numerical index to assist the user in finding the illustration of a part when the part number is known.

(2) HOBART PART NUMBER Column

All part numbers appearing in this column are Hobart numbers. In all instances where the part is a purchased item, the vendor's identifying five-digit code and his part number will appear in the "NOMENCLATURE" column. Vendor parts which are modified by Hobart will be identified as such in the "NOMENCLATURE" column. In case Hobart does not have an identifying part number for a purchased part, the "HOBART PART NUMBER" column will reflect "No Number" and the vendor's number will be shown in the "NOMENCLATURE" column. Parts manufactured by Hobart will reflect no vendor or part number in the "NOMENCLATURE" column.

(3) AIRLINE PART NUMBER Column

This column will appear blank. Eleven character spaces have been reserved for filling in part numbers that may have been assigned by individual airlines.

(4) NOMENCLATURE Column

The item identifying name appears in this column. The indenture method is used to indicate item relationship. Thus, components of an assembly are listed directly below the assembly and indented one space. Vendor codes and part numbers for purchased parts are also listed in this column when applicable. Hobart modification to vendor items is also noted in this column.

(5) EFF (Effective) Column

This column is used to indicate the applicability of parts to different models of equipment. When more than one model of equipment is covered by a parts list, there are some parts which are used on only one model. This column is used for insertion of a code letter A, B, etc., to indicate these parts and to identify the particular model they are used on. Since this manual covers only one generator set specification, this column is not used in this manual.

Parts coded "A" are usable on Part Number 500394A-001 only.

Parts coded "B" are usable on Part Number 500394A-002 only.

Parts coded "C" are usable on Part Number 500394A-003 only.

Parts coded "D" are usable on Part Number 500394A-004 only.

Parts coded "E" are usable on Part Number 500394A-005 only.

(6) UNITS PER ASSEMBLY Column

This column indicates the quantity of parts required for an assembly or subassembly in which the part appears. This column does not necessarily reflect the total used in the complete end item.

Section 2. Illustrated Parts List

1. Explanation of Parts List Arrangement

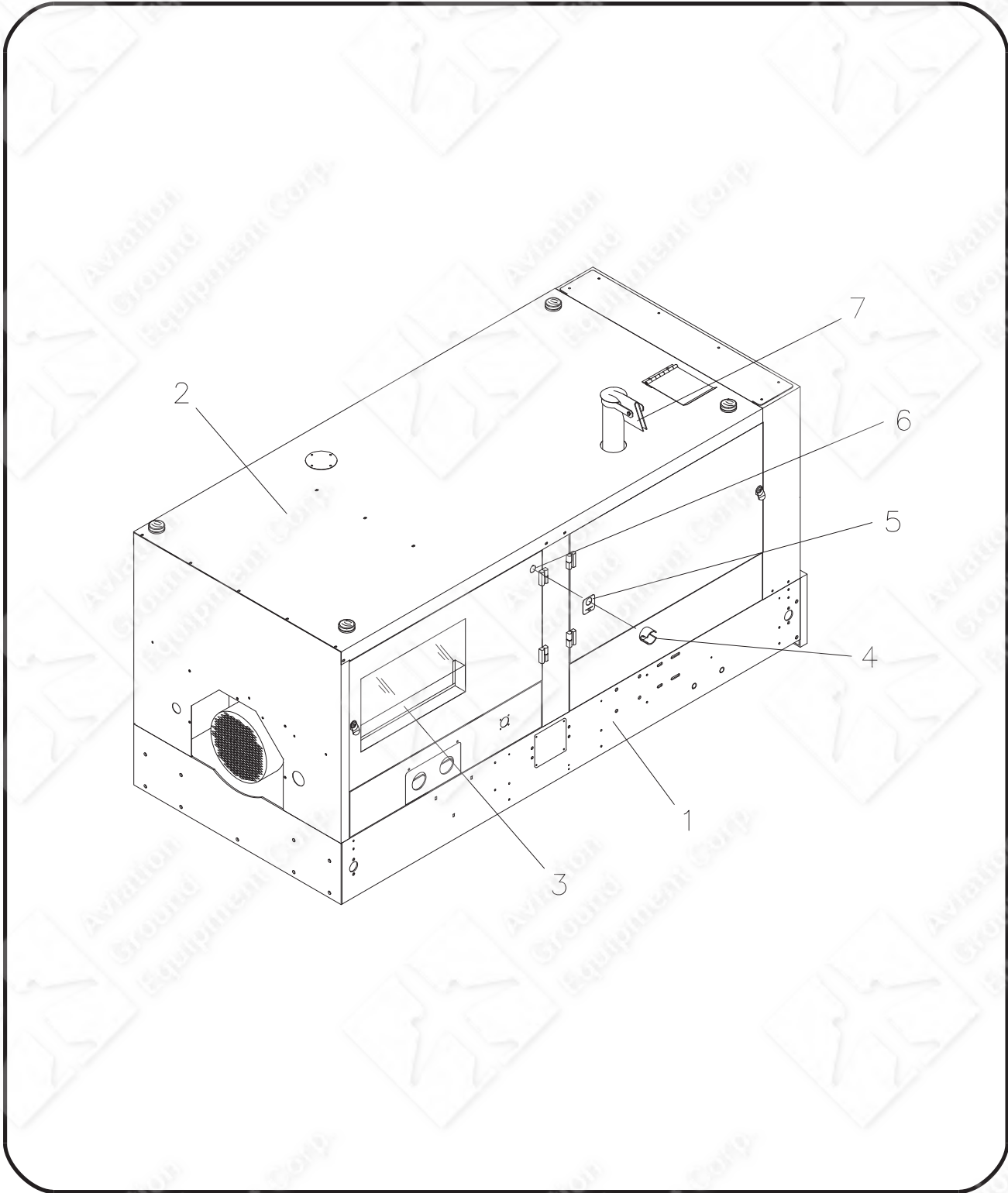
The parts list is arranged so that the illustration will appear on a left-hand page and the applicable parts list will appear on the opposite right-hand page. Unless the list is unusually long, the user will be able to look at the illustration and read the parts list without turning a page.

2. Symbols and Abbreviations

The following is a list of symbols and abbreviations used in the parts list:

- * - Item not illustrated
- A, or AMP - Ampere
- AC - Alternating current
- AR - As required
- DC - Direct current
- Fig. - Figure
- hd. - Head
- hex - Hexagon
- Hz - Hertz (cycles-per-second)
- I.D. - Inside diameter
- IN - Inch
- KVA - Kilovolt-ampere
- uF - Microfarad
- No. - Number
- NHA - Next higher assembly
- PRV - Peak reverse voltage
- PSI - Pounds per square inch
- Ref - Reference (the item has been listed previously)
- TM - Technical Manual
- T-R - Transformer-rectifier
- V - Volt (when used as a prefix to a five-digit number, indicates vendor code)

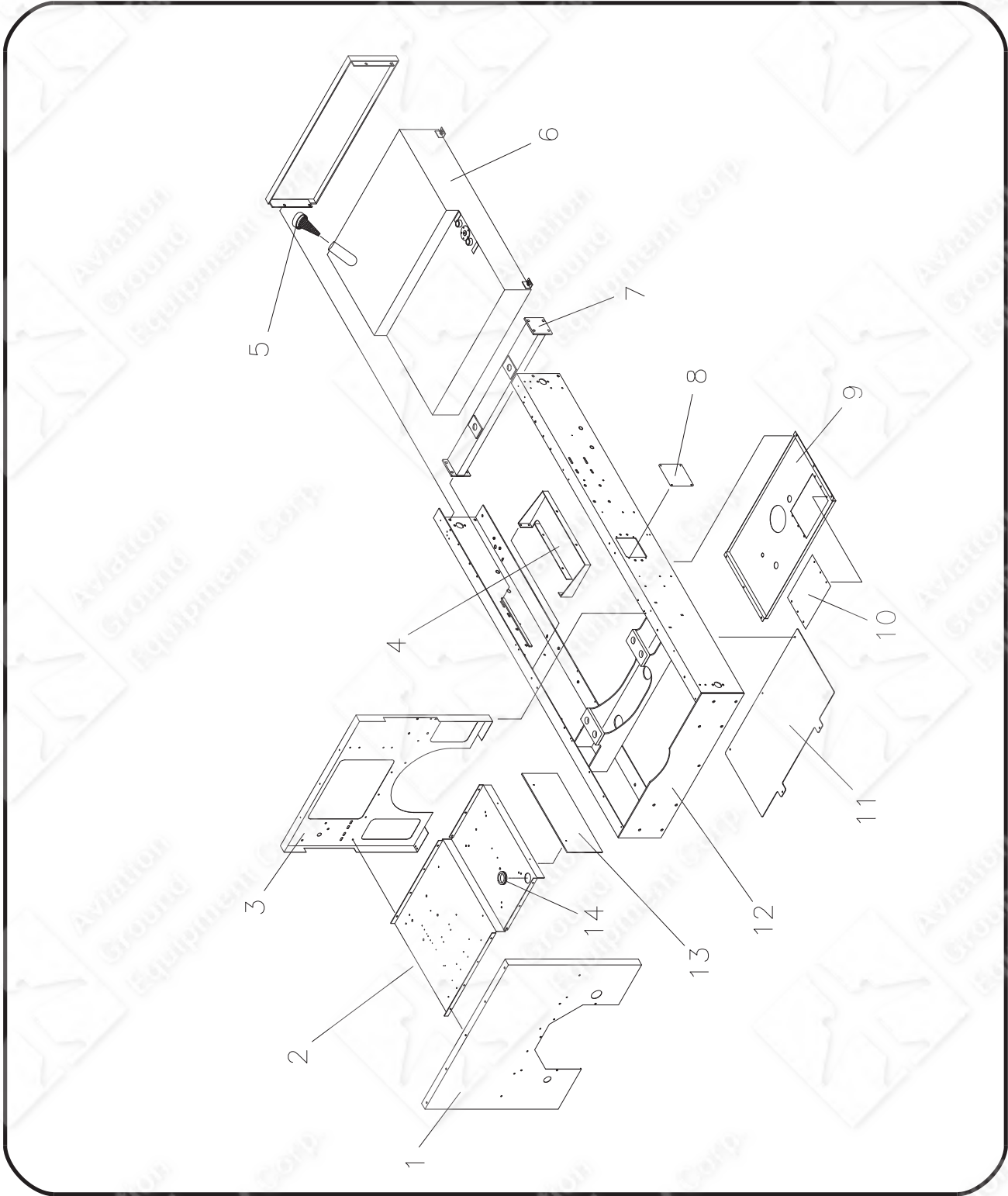
NOTE: An item which does not reflect an index number is a assembly which is not illustrated in its assembled state, or it is similar (right-hand, left-hand, top, etc.) to an item which is illustrated.



Generator Set
Figure 1

FIGURE & ITEM NO.	HOBART PART NO.	AIRLINE PART NO.	NOMENCLATURE						UNITS PER EFF ASSY	
			1	2	3	4	5	6	EFF	ASSY
1 -	500392A-001		GENERATOR SET FOR TRAILER MOUNTING, SINGLE OUTPUT						A	REF
1 -	500392A-002		GENERATOR SET FOR TRAILER MOUNTING, DUEL OUTPUTS						B	REF
1 -	500392A-003		GENERATOR SET FOR FIXED/TRUCK MOUNTING, SINGLE OUTPUT						C	REF
1 -	500392A-004		GENERATOR SET FOR FIXED/TRUCK MOUNTING, DUEL OUTPUTS						D	REF
1 -	500392A-005		GENERATOR SET FOR TRAILER MOUNTING, WITH SPECIAL OPTIONS, SINGLE OUTPUT						E	REF
1 - 1	No Number		. FRAME ASSEMBLY (See Fig. 2)							REF
1 - 2	No Number		. CANOPY ASSEMBLY (See Fig. 3)							REF
1 - 3	No Number		. GENERATOR SET INTERIOR COMPONENTS (See Fig. 4)							REF
1 - 4	285125		. GUARD, MUSHROOM BUTTON (V14799 #K564M)							1
1 - 5	285681		. PLATE, LEGEND, EMERGENCY STOP							1
1 - 6	77A1157		. SWITCH, MAINTAINED, PUSH-PULL (V14799 #KR-9R-H6)							1
1 - 7	DDW495-001		. RAIN CAP, EXHAUST (V17284 #FB0032)							1
* 1 - 8	287048		. LABEL, TERMINAL BLOCK							1
* 1 - 9	402987		. LABEL, HOBART							3
* 1 - 10	78A1000		. LABEL, I.D.							1
* 1 - 11	287459		. LABEL, GENERAL WARNING							1
* 1 - 12	79A1110		. LABEL, OPTIONS							1
* 1 - 13	76B1148		. LABEL, DIESEL FUEL							1
* 1 - 14	430077-002		. LABEL, HANDLING							1
* 1 - 15	287460		. LABEL, HIGH VOLTAGE							1
* 1 - 16	287461		. LABEL, FUEL							1
* 1 - 17	287462		. LABEL, RADIATOR							1
* 1 - 18	287463		. LABEL, HOT MUFFLER							1
* 1 - 19	287464		. LABEL, MOVING PARTS							2
* 1 - 20	287466		. LABEL, EMERGENCY STOP							1
* 1 - 21	282658		. LABEL, WARNING, CLEARANCE							1
* 1 - 22	282659		. LABEL, GOVERNOR DIESEL FUEL							1
* 1 - 23	283533		. LABEL, SUPPORT CENTER							1
* 1 - 24	287454		. LABEL, CAUTION, ENGINE SPEED							1
* 1 - 25	408665-001		. REFLECTOR, RED							8
* 1 - 26	408665-002		. REFLECTOR, AMBER							24
* 1 - 27	287696		. LABEL, HEARING PROTECTION							1
* 1 - 28	287465		. LABEL, WARNING, DRAWBAR						A,B,E	1
* 1 - 29	287571		. LABEL, TIRE PRESSURE						A,B,E	4
* 1 - 30	287709		. COVER, OPENING, FRONT						A,B,E	1

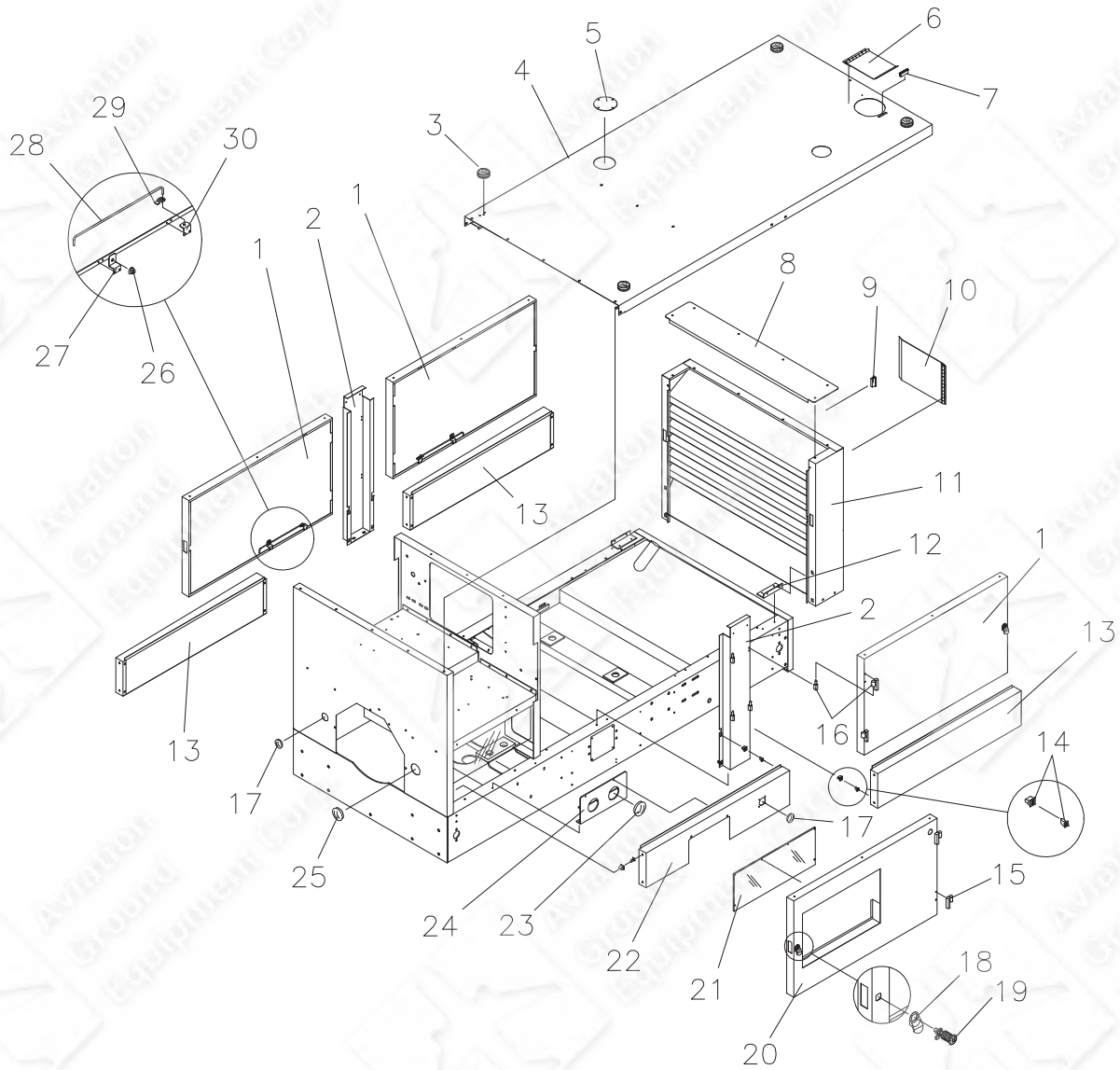
* NOT ILLUSTRATED



Frame Assembly
Figure 2

FIGURE & ITEM NO.	HOBART PART NO.	AIRLINE PART NO.	NOMENCLATURE						UNITS PER EFF ASSY	
			1	2	3	4	5	6		
2 -	No Number		FRAME ASSEMBLY						REF	
2 - 1	287706		.	PANEL, FRONT CANOPY					1	
*	287738-008		.	INSULATION, TOP					1	
*	287738-009		.	INSULATION, LEFT					1	
*	287738-010		.	INSULATION, RIGHT					1	
2 - 2	287802		.	SUPPORT, CONTROL BOX					1	
2 - 3	287707		.	PANEL, BULKHEAD, CENTER					1	
2 - 4	287795		.	BRACKET, BATTERY MTG.					1	
2 - 5	282562		.	CAP, FUEL (V49234 #1275/0003)					1	
2 - 6	287781		.	TANK, FUEL, 65 GAL					1	
2 - 7	287424		.	SUPPORT, ENGINE, FRONT					1	
2 - 8	287506		.	COVER, EXHAUST, FRAME					1	
2 - 9	287739		.	PANEL, BOTTOM					1	
*	287738-003		.	INSULATION, BOTTOM PANEL					1	
2 - 10	287437		.	COVER, FUEL COOLER					1	
2 - 11	287798		.	PANEL, BOTTOM, GENERATOR					1	
*	287738-015		.	INSULATION, GENERATOR PANEL					1	
2 - 12	287713		.	FRAME ASSEMBLY					1	
2 - 13	287803		.	COVER, POWER MODULE					1	
2 - 14	402037-028		.	GROMMET, RUBBER (V7M613 #HW-2036)					1	

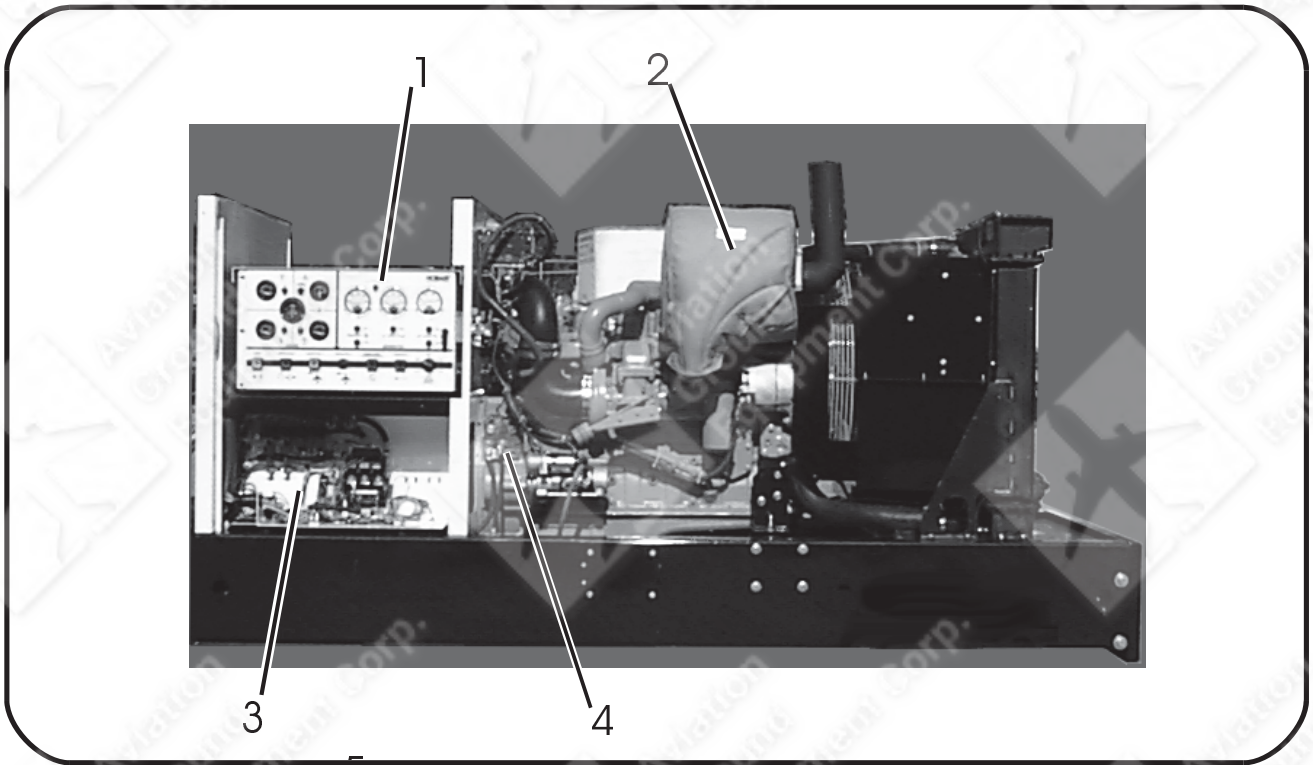
* NOT ILLUSTRATED



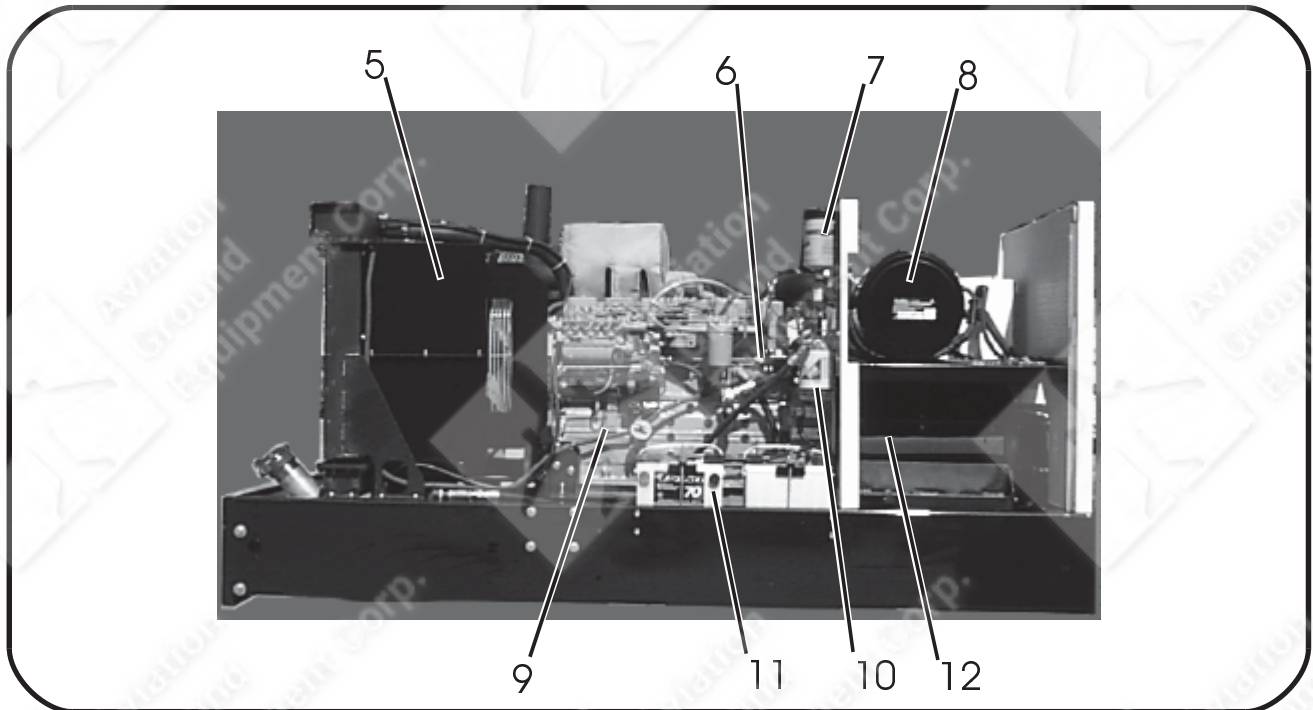
Canopy Assembly
Figure 3

FIGURE & ITEM NO.	HOBART PART NO.	AIRLINE PART NO.	NOMENCLATURE						UNITS PER EFF ASSY	
			1	2	3	4	5	6	REF	
3 -	No Number		CANOPY ASSEMBLY						REF	
	3 - 1	287701	.							3
*		287738-001	.							3
	3 - 2	287699	.							2
*		287738-011	.							2
	3 - 3	282732-001	.							4
	3 - 4	287705	.							1
*		287738-006	.							1
*		287738-007	.							1
	3 - 5	287422	.							2
	3 - 6	283647	.							1
	3 - 7	403127	.							1
	3 - 8	287889	.							1
	3 - 9	403127	.							1
	3 - 10	287794	.							1
	3 - 11	287819	.							1
	3 - 12	287793	.							2
	3 - 13	287703	.							3
*		287738-004	.							3
	3 - 14	287785	.							16
	3 - 15	283824	.							4
	3 - 16	283597	.							4
	3 - 17	403091-008	.							2
	3 - 18	287526-002	.						A,B,C,D	4
	3 - 19	287542-001	.						A,B,C,D	4
		287542-002	.						E	4
	3 - 20	287710	.							1
*		287738-002	.							1
	3 - 21	286834	.							1
	3 - 22	287704	.							1
*		287738-005	.							1
	3 - 23	287698-001	.						A,C,E	1
	3 - 24	287786	.							1
*		7J422-000	.						A,C,E	2
*		7J422-000	.						B,D	4
	3 - 25	403091-017	.							2
	3 - 26	287788	.							3
	3 - 27	287789	.							3
	3 - 28	287791	.							3
	3 - 29	287792	.							3
	3 - 30	287790	.							3

* NOT ILLUSTRATED



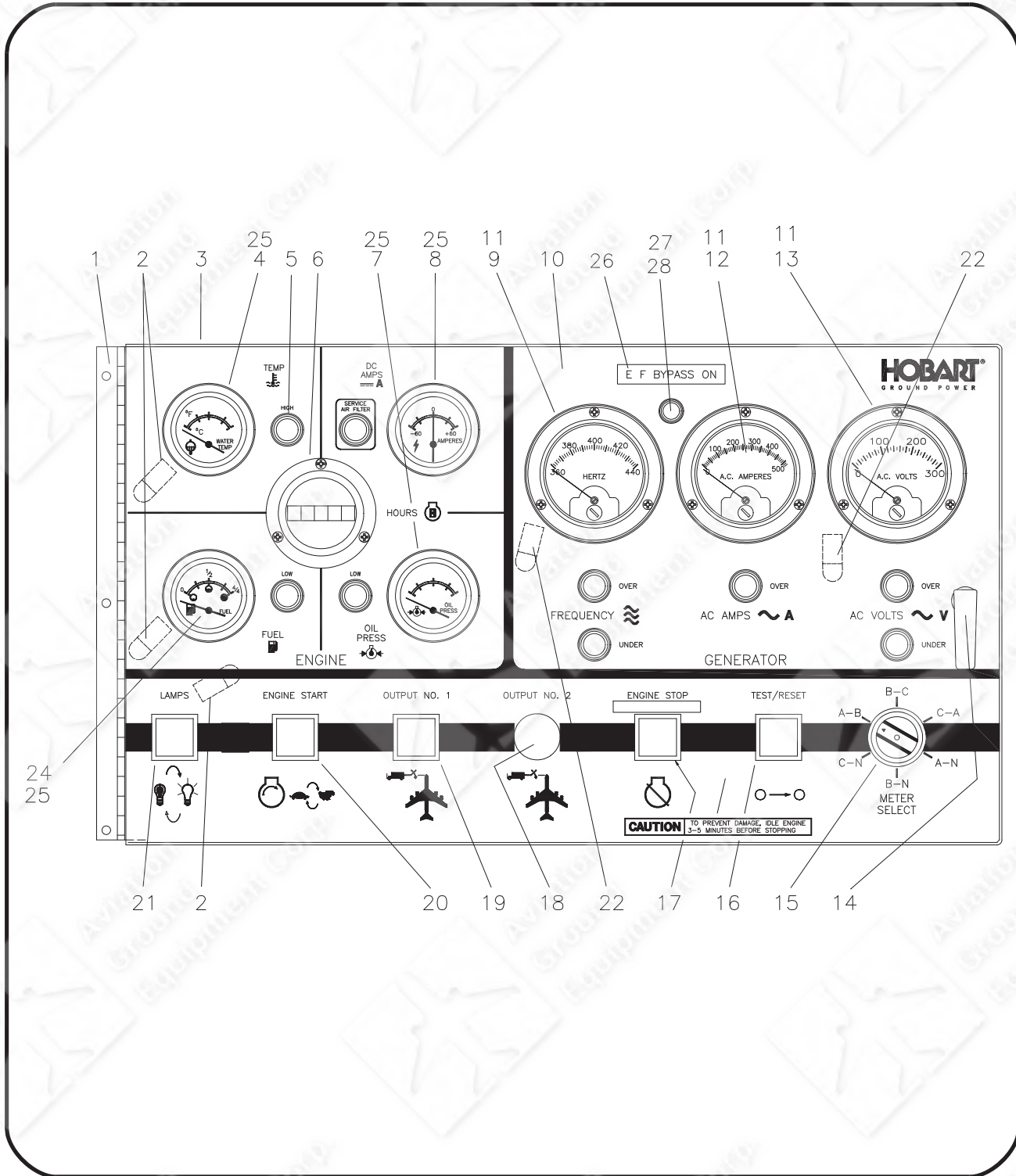
Interior Components (Left Side)
Figure 4A



Interior Components (Right Side)
Figure 4B

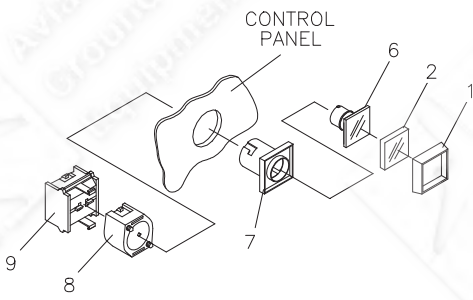
FIGURE & ITEM NO.	HOBART PART NO.	AIRLINE PART NO.	NOMENCLATURE						UNITS PER EFF ASSY	
			1	2	3	4	5	6		
4A -	No Number		INTERIOR COMPONENTS (LEFT SIDE)						REF	
4A - 1	287749-003 287087		.							REF
*	HF-2752		.						B,D	REF
4A - 2	No Number		.							4
			.							REF
4A - 3	287756 284244		.							REF
*	HF-2752		.						B,D	REF
4A - 4	No Number		.							2
			.							REF
*	4A - 5	408173	.							1
*	4A - 6	285200	.							1
4B -	No Number		INTERIOR COMPONENTS (RIGHT SIDE)						REF	
4B - 5	No Number		.							REF
4B - 6	287532-002		.							REF
4B - 7	No Number		.							
			.						A,B,C,D	REF
4B - 8	No Number		.							REF
4B - 9	No Number		.							REF
4B - 10	No Number		.							REF
4B - 11	No Number		.							REF
4B - 12	285120A-006		.							REF
*	4B - 13	287747	.							1
*	4B - 14	287748	.							1
*	4B - 15	401911-020	.							1

* NOT ILLUSTRATED

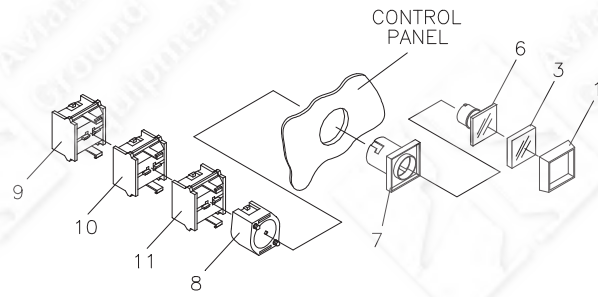


**Control Box Door Assembly
Figure 5**

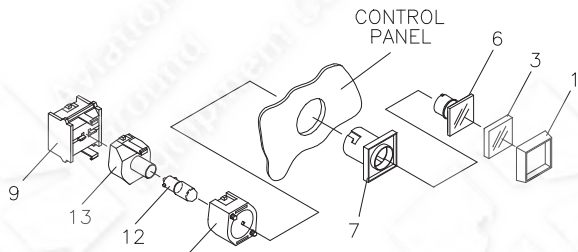
FIGURE & ITEM NO.	HOBART PART NO.	AIRLINE PART NO.	NOMENCLATURE						UNITS PER	
			1	2	3	4	5	6	EFF	ASSY
5 -	287749-003		CONTROL BOX ASSEMBLY						1	
5- 1	287752-003		. . CONTROL BOX DOOR ASSEMBLY						1	
5- 2	W10051-013		. . CLAMP, WIRE, 7/8" (V81074 #MPC-14)						3	
5- 3	287753		. . PANEL, DOOR, CONTROL BOX, ASSY.						1	
5- 4	287908		. . GAUGE, WATER TEMP. (V16476 #06343-01)						1	
5- 5	HF2518-002		. . LIGHT, PILOT, RED, ASSY.						9	
5- 6	W9917-018		. . METER, RUNNING TIME						1	
5- 7	78A1117-002		. . GAUGE, OIL PRESSURE (V16476 #06395-01)						1	
5- 8	78A1115-001		. . AMMETER, ENGINE (V16476 #06354-01)						1	
5- 9	283167		. . METER, FREQUENCY						1	
5-10	285080		. . LABEL, CONTROL BOX						1	
5-11	285172		. . LIGHT, STRIP						3	
5-12	286017		. . AMMETER, GENERATOR, AC (V74542 #2735/R)						1	
5-13	W8105A-004		. . VOLTMETER, AC						1	
5-14	285501		. . LATCH, SWELL (V94222 #19-14-10)						1	
5-15	79C1158		. . SWITCH, SELECTOR, METER(VE0615 #USA-900)						1	
5-16	See Figure 5A		. . SWITCH,TEST/RESET						REF	
5-17	See Figure 5A		. . SWITCH, ENGINE STOP						REF	
5-18	287038-001		. . HOLE PLUG						1	
5-19	See Figure 5A		. . SWITCH, OUTPUT NO. 1						REF	
5-20	See Figure 5A		. . SWITCH, ENGINE START						REF	
5-21	See Figure 5A		. . SWITCH, LAMPS						REF	
5-22	W10051-010		. . CLAMP, WIRE, 5/8"						2	
5-23	NOT USED									
2-24	494134-001		. . GAUGE, FUEL LEVEL						1	
2-25	284486-001		. . LIGHT, GAUGE						4	
2-26	287754		. . LABEL, EF BY-PASS						1	
2-27	287687-001		. . INDICATOR LIGHT, RED						1	
2-28	400613-016		. . LAMP, 12VDC, TYPE 382						1	



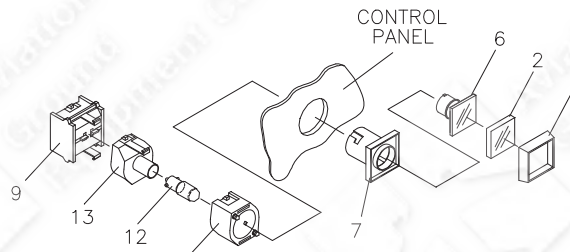
LAMPS PUSH-BUTTON



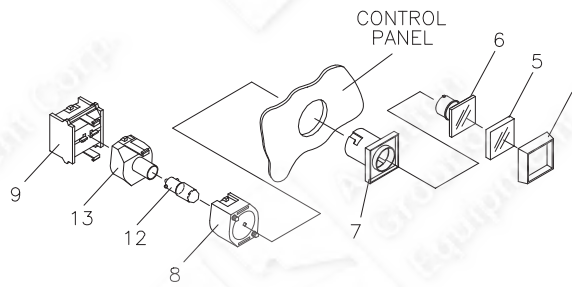
TEST/RESET PUSH-BUTTON



ENGINE STOP PUSH-BUTTON



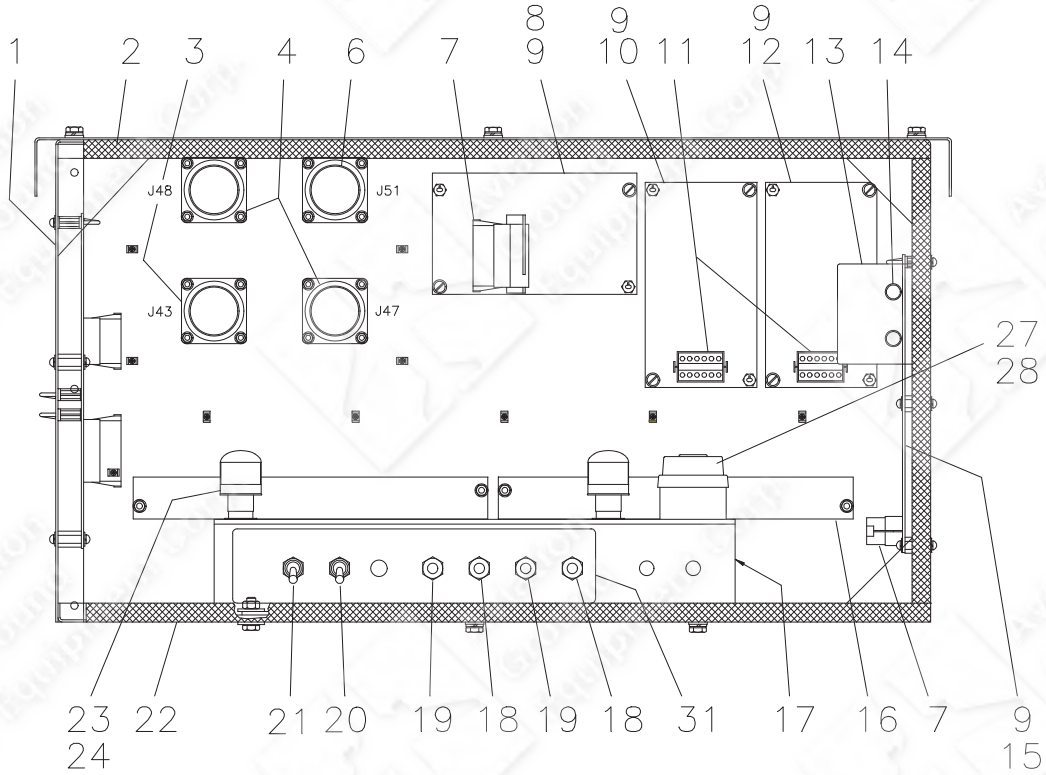
OUTPUT #1 PUSH-BUTTON



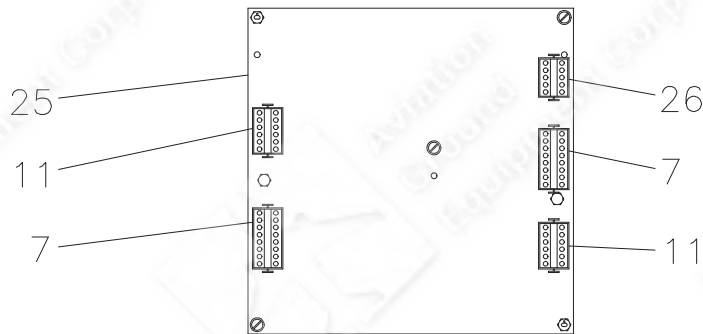
ENGINE START PUSH-BUTTON

Push-Buttons Details
Figure 5A

FIGURE & ITEM NO.	HOBART PART NO.	AIRLINE PART NO.	NOMENCLATURE						UNITS PER EFF ASSY	
			1	2	3	4	5	6		
5A -	No Number		. LAMPS PUSH-BUTTON DETAILS						REF	
5A- 1	285029-001		.. FRAME, BEZEL (V61706 #704-701.0)						1	
5A- 2	285030-002		.. LENS, YELLOW(V61706 #704-702.4)						1	
5A- 3	285030-001		.. LENS, RED(V61706 #704-702.2)						1	
5A- 4	NOT USED									
5A- 5	285030-003		.. LENS, GREEN (V61706 #704-702.5)						1	
5A- 6	285031-001		.. HOLDER, LENS (V61706 #704-709.7)						1	
5A- 7	285032-001		.. ACTUATOR, SLEEVE (V61706 #704-731.0)						1	
5A- 8	285033		.. FLANGE, MOUNTING (V61706 #704-950.5)						1	
5A- 9	284475-001		.. BLOCK, CONTACT, N.O.(V61706 #704-900.3)						1	
5A-10	284475-003		.. BLOCK, CONTACT, N.O.(V61706 #704-910.3)						1	
5A-11	284475-002		.. BLOCK, CONTACT, N.O.(V61706 #704-900.4)						1	
5A-12	400613-004		.. BULB, TYPE 1815						1	
5A-13	285034-001		.. LAMP HOLDER (V61706 #704-950.0)						1	



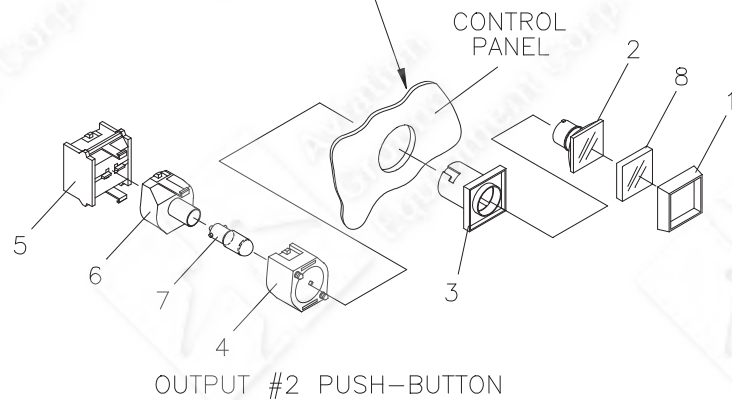
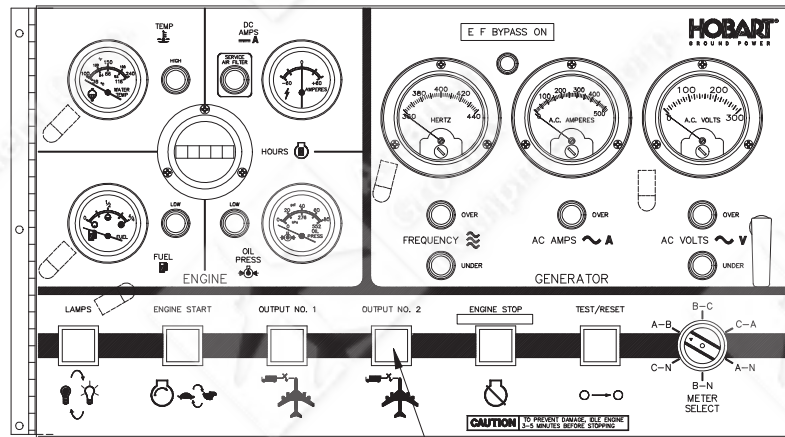
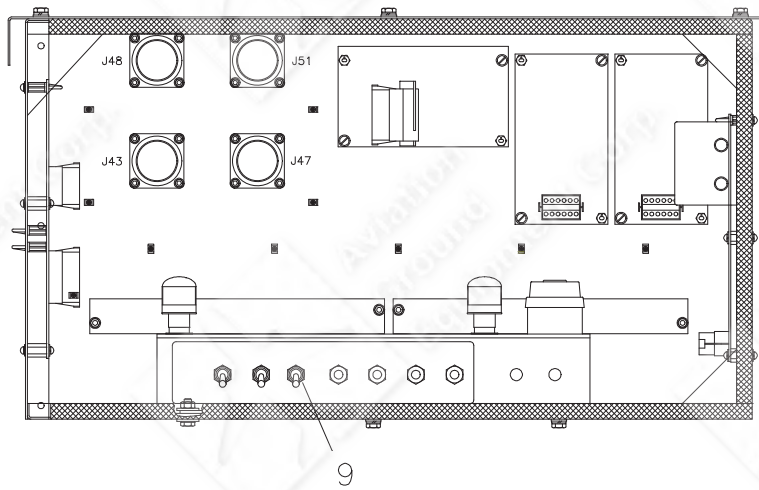
FACING FRONT OF GENERATOR SET CONTROL P.C. BOARD, MOUNTED ON INSIDE OF CONTROL BOX.



Control Box Interior Components
Figure 6

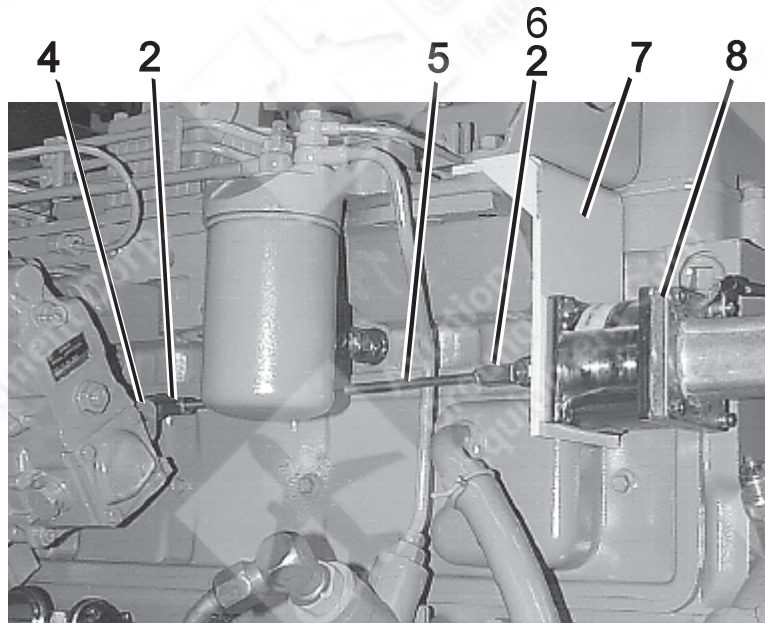
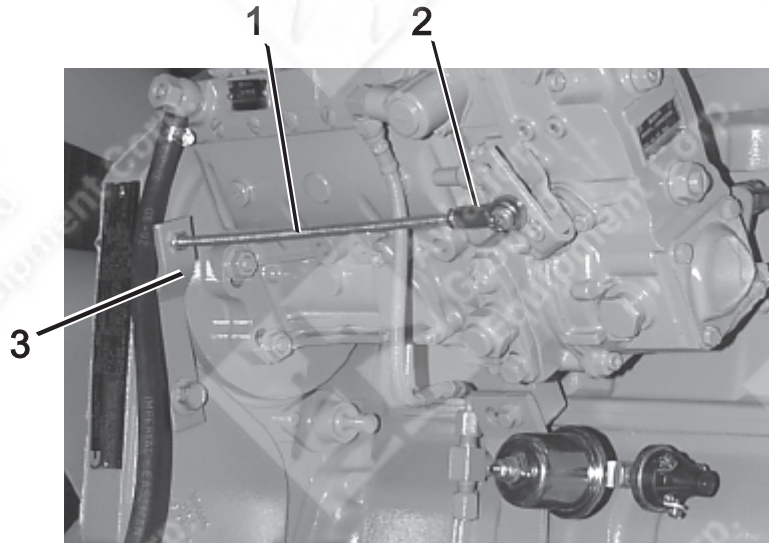
FIGURE & ITEM NO.	HOBART PART NO.	AIRLINE PART NO.	NOMENCLATURE						UNITS PER EFF ASSY	
			1	2	3	4	5	6	REF	
6 -	287749-003		CONTROL BOX ASSEMBLY (INTERIOR COMPONENTS)						REF	
6-1	284970		.	WRAPPER, CONTROL BOX, ASSY					1	
6-2	284935		.	TOP, CONTROL BOX					1	
6-3	79B-1159-1		.	RECEPTACLE, 37-PIN					1	
6-4	79B-1159-2		.	RECEPTACLE, 37-SOCKET					2	
* 6-5	79A-1164		.	PLUG, KEYING					2	
6-6	79B-1159-6		.	RECEPTACLE, 7-PIN					1	
6-7	401564-005		.	HOUSING, CONNECTOR, 16-CIRCUIT					4	
6-8	387736C		.	BOARD, PC, MEMORY & TIME DELAY					1	
6-9	375426-003		.	SPACER, PC BOARD (V016T7 #8575-N-0632-0)					24	
6-10	482039C		.	BOARD, PC, OVER-UNDER FREQUENCY					1	
6-11	401564-004		.	HOUSING, CONNECTOR, 12-CIRCUIT					4	
6-12	482038A		.	BOARD, PC, OVER-UNDER VOLTAGE					1	
6-13	285627		.	LABEL, REGULATOR					1	
6-14	406807-002		.	KNOB, RED (V86797 #200085A)					2	
6-15	282800A-001		.	BOARD, PC, VOLTAGE REGULATOR, ASSY.					1	
6-16	401911-020		.	BLOCK, TERMINAL, 20-STATION (V30430 #0220081)					2	
6-17	284937		.	BRACKET, MOUNTING, SWITCHES					1	
6-18	283978-002		.	CIRCUIT BREAKER, 10A (V77342 #W23-X1A16-10)					2	
6-19	283978-001		.	CIRCUIT BREAKER, 5A (V77342 #W23-X1A16-5)					2	
6-20	402662		.	SWITCH, TOGGLE, DPST					1	
6-21	400292-006		.	SWITCH, TOGGLE, 4PDT					1	
6-22	40201		.	INSULATION, STRIP, NEOPRENE, 1/8 X 1/2					58"	
6-23	30GH-1262		.	SOCKET, LIGHT PANEL (V13445 #DL-21)					2	
6-24	50GHP-206		.	LAMP, PILOT LIGHT					2	
6-25	284908A		.	BOARD, PC, GENERATOR SET CONTROL, ASSY.					1	
6-26	401564-003		.	HOUSING, CONNECTOR, 10-CIRCUIT					1	
6-27	287075-001		.	RELAY, TIME DELAY, ENGINE SHUTDOWN (V66180 #405A100E1X)					1	
6-28	405699		.	BASE, RELAY (V02660 #146-103)					1	
* 6-29	489658-002		.	DIODE, ASSY.					3	
* 6-30	401923-003		.	CONNECTOR, WIRE, CLOSED-IN					1	
6-31	285186		.	LABEL, SWITCH BRACKET					1	
* 6-32	181158		.	TUBING, Z-FLEX, 1"					4"	
* 6-33	400826-001		.	TIE, ANCHOR, CABLE, PLASTIC					23	
* 6-34	400828-001		.	TIE, CABLE, PLASTIC					50	
* 6-35	287133		.	HARNESS, CONTROL BOX ASSEMBLY					1	

*** NOT ILLUSTRATED**



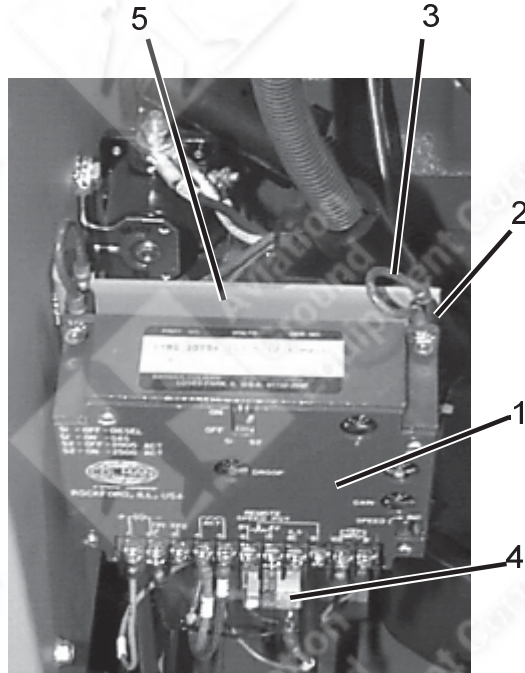
**Control Box
Dual Output Kit
(Figure 6a)**

FIGURE & ITEM NO.	HOBART PART NO.	AIRLINE PART NO.	NOMENCLATURE						UNITS PER	
			1	2	3	4	5	6	EFF	ASSY
6a-	287087		DUEL OUTPUT CONTROL BOX KIT						B,D	1
6a - 1	285029-001		. FRAME, BEZEL (V61706 #704-701.0)						B,D	1
6a - 2	285031-001		. LENS HOLDER (V61706 #704-709.7)						B,D	1
6a - 3	285032-001		. ACTUATOR, SLEEVE (V61706 #704-731.0)						B,D	1
6a - 4	285033		. FLANGE, MOUNTING (V61706 #704-950.5)						B,D	1
6a - 5	284475-001		. BLOCK, CONTACT, NC(V61706 #704-900.3)						B,D	1
6a - 6	285034-001		. LAMP HOLDER (V61706 #704-950.0)						B,D	1
6a - 7	400613-004		. BULB, TYPE 1815						B,D	1
6a - 8	285030-004		. LENS, ORANGE (V61706 #704-702.3)						B,D	1
6a - 9	400292-004		. SWITCH, TOGGLE						B,D	1

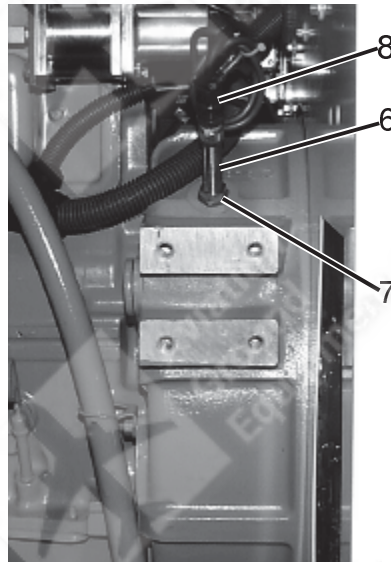


Governor Kit
Figure 7

FIGURE & ITEM NO.	HOBART PART NO.	AIRLINE PART NO.	NOMENCLATURE						UNITS PER	
			1	2	3	4	5	6	EFF	ASSY
7-	287532-002		KIT, GOVERNOR (Also See Fig. 8)						1	
7 - 1	286840-001		.	ROD, THREADED, 11" LONG					1	
7 - 2	281776		.	JOINT, BALL, GOVERNOR LINKAGE (V2B928 #DYNZ 7-1)					3	
7 - 3	285436		.	BRACKET, LEVER, STOP					1	
7 - 4	286616		.	LEVER, FUEL PUMP STOP					1	
7 - 5	286840-002		.	ARM, THROTTLE LINKAGE					1	
7 - 6	281775		.	CLEVIS, ACTUATOR ROD (V2B928 #DYNK 218-1)					1	
7 - 7	284223		.	BRACKET, GOVERNOR ACT. MTG.					1	
7 - 8	281772		.	ELECTRIC GOVERNOR ACTUATOR (V2B928 #DYNC 10502-000-0-12)					1	



**Governor Controller
(Left Side of Unit)**



**Magnetic Pickup
(Right side of Engine)**

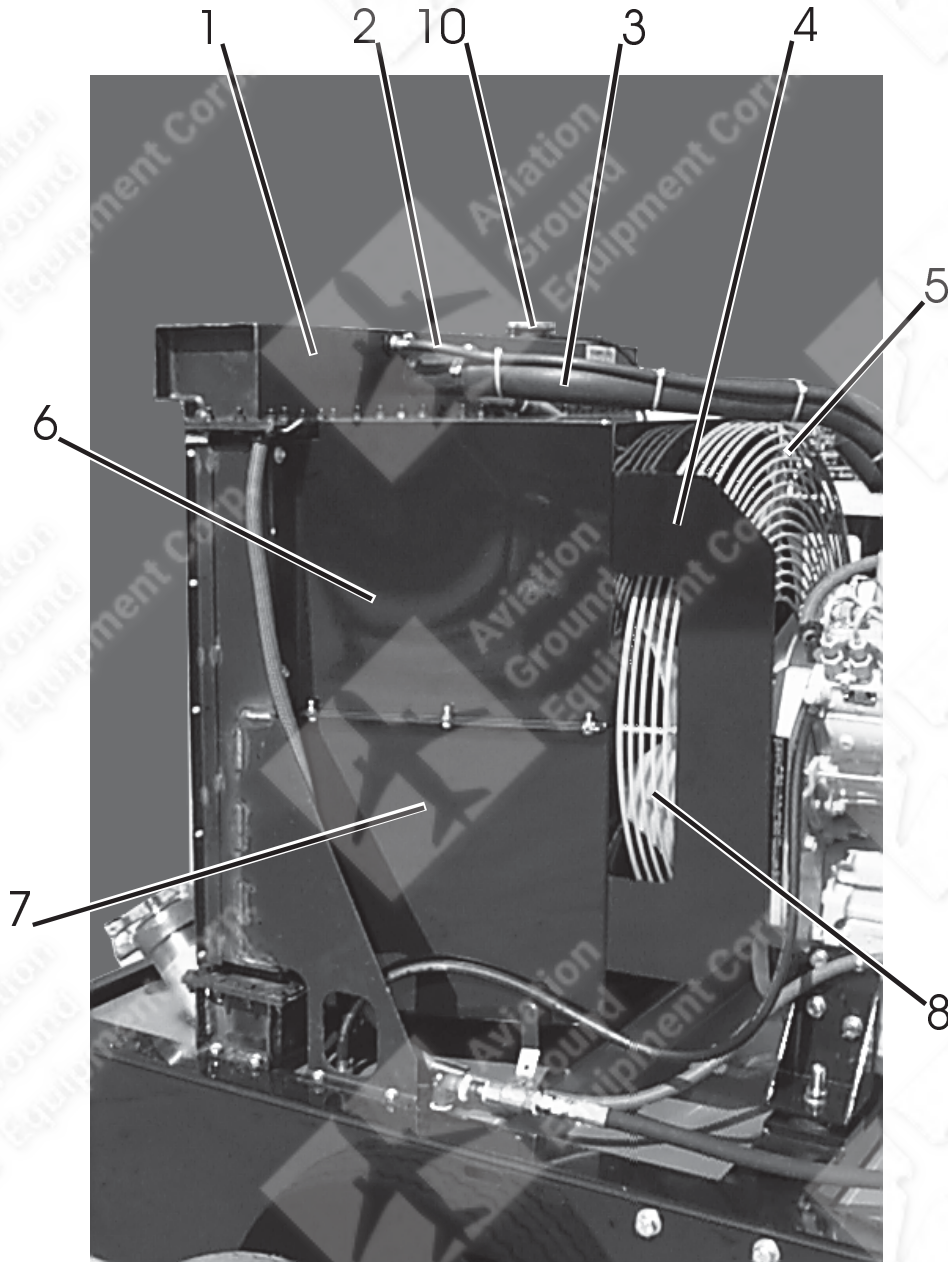
**Governor Kit (Continued)
Figure 8**

FIGURE & ITEM NO.	HOBART PART NO.	AIRLINE PART NO.	NOMENCLATURE						UNITS PER EFF ASSY	
			1	2	3	4	5	6	EFF	ASSY
8-	287532-002		KIT, GOVERNOR (CONTINUED)						REF	
8 - 1	283990-001		.	CONTROLLER, GOV. ELECTRIC (V2B928 #DYN1-10756-000-0-12)						1
8 - 2	84A1075		.	MOUNT, RUBBER						4
8 - 3	482989		.	STRAP, CONTROLLER						2
8 - 4	181891-003		.	BOARD, PC SPEED ADJUST						1
8 - 5	285141		.	BRACKET, CONTROLLER MTG.						1
8 - 6	285062-001		.	SENSOR, MAGNETIC PICKUP (V2B928 #3040AN25)						1
8 - 7	281751-003		.	ADAPTER, MAGNETIC PICKUP						1
8 - 8	285063A-003		.	CABLE ASSEMBLY						1



Fuel System Components
Figure 9

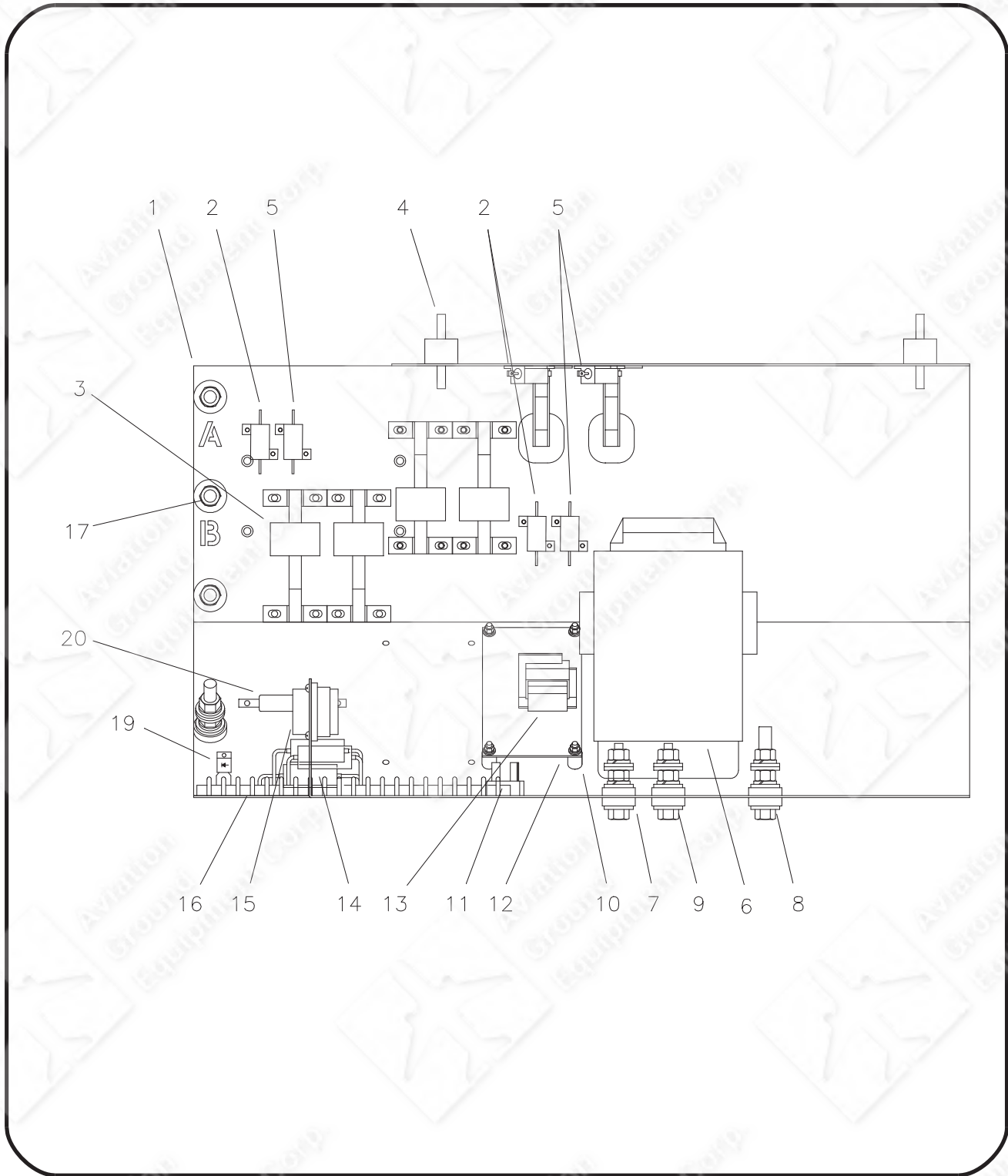
FIGURE & ITEM NO.	HOBART PART NO.	AIRLINE PART NO.	NOMENCLATURE						UNITS PER EFF ASSY	
			1	2	3	4	5	6		
9-	No Number		FUEL SYSTEM COMPONENTS						REF	
Note: All fuel lines (items 2, and 3) are supplied with fittings on each end as one complete assembly.										
9 - 1	287639		.	FILTER, FUEL/WATER SEPARATOR (V55752 # 460R30)				A,B,C,D	1	
*	287592-001		.	FILTER, FUEL/WATER SEPARATOR (VOA569 #230090)				E	1	
9 - 2	287641		.	LINE, FILTER TO PUMP					1	
9 - 3	287804		.	FUEL LINE, TANK TO FILTER					1	
9 - 4	056544		.	HOSE, LOW PRESSURE					21"	
*	W10869-014		.	HOSE CLAMP					1	
9 - 5	400819-003		.	VALVE, BALL, 1/2" (V13902 #F-125R)					1	
9 - 6	12CW2077-003		.	ELBOW, 1/2 N PT, ST, 90DEG.					1	
9 - 7	W10760-003		.	NIPPLE, PIPE, 1" X 1/2					1	
9 - 8	056544		.	LINE, FUEL RETURN					28"	
*	W10869-014		.	HOSE CLAMP					2	
9 - 9	286851		.	FITTING, HOSE, BARBED, BRASS					1	
9 - 10	NOT USED									
9 - 11	287781		.	FUEL TANK, 65 GAL., STAINLESS STEEL					1	
9 - 12	486719-005		.	FUEL SENDER					1	
*	9 - 13	286897-004	.	PRIMARY FUEL FILTER					REF	
*	9 - 14	286897-005	.	SECONDARY FUEL FILTER					REF	
* NOT ILLUSTRATED										



Cooling System Components
Figure 10

FIGURE & ITEM NO.	HOBART PART NO.	AIRLINE PART NO.	NOMENCLATURE						UNITS PER EFF ASSY	
			1	2	3	4	5	6	EFF	ASSY
10-	No Number		COOLING SYSTEM COMPONENTS						REF	
10 - 1	287780		. RADIATOR (V0HZP9 #DRC-7780)						1	
10 - 2	No Number		. DE-AERATION COMPONENTS						REF	
	W-7814-000		. . BUSHING, 1/4" - 1/8"						1	
	W-7814-011		. . BUSHING, 1/2" - 1/8"						1	
	402927-003		. . FITTING, 1/8" X 1/4", BARBED						2	
	56534		. . HOSE, 1/4"						30"	
	W-10869-014		. . CLAMP, HOSE						2	
10 - 3	287659		. HOSE, RADIATOR, UPPER						A,B,C,D 1	
	287913		. HOSE, RADIATOR, UPPER						E 1	
*	W10869-003		. CLAMP, HOSE						2	
*	287660		. HOSE, RADIATOR, LOWER						A,B,C,D 1	
*	287914		. HOSE, RADIATOR, LOWER						E 1	
*	W10869-005		. CLAMP, HOSE						2	
10 - 4	287453		. GUARD, FAN (EXHAUST SIDE)						1	
*	287656		. GUARD, FAN (PUMP SIDE)						1	
10 - 5	287612		. GUARD, FAN, WIRE SPIRALED						1	
10 - 6	287619		. SHROUD, TOP						1	
10 - 7	287620		. SHROUD, BOTTOM						1	
10 - 8	286654		. FAN, COOLING (V75418 #4035-41296-80)						1	
*	10 - 9	283873	. DRAIN, RADIATOR						2	
*	56535		. . HOSE, DRAIN, 3/8"						40"	
*	W-10869-014		. . CLAMP, HOSE						1	
*	80A1117		. CLAMP, MTG. HOSE						1	
*	386751		. CLAMP, RETAINER						2	
* 10 - 10	287333		. CAP, RADIATOR, 10LB.						1	
* 10 - 11	287805		. DEFLECTOR, RADIATOR, LEFT						1	
* 10 - 12	287806		. DEFLECTOR, RADIATOR, RIGHT						1	

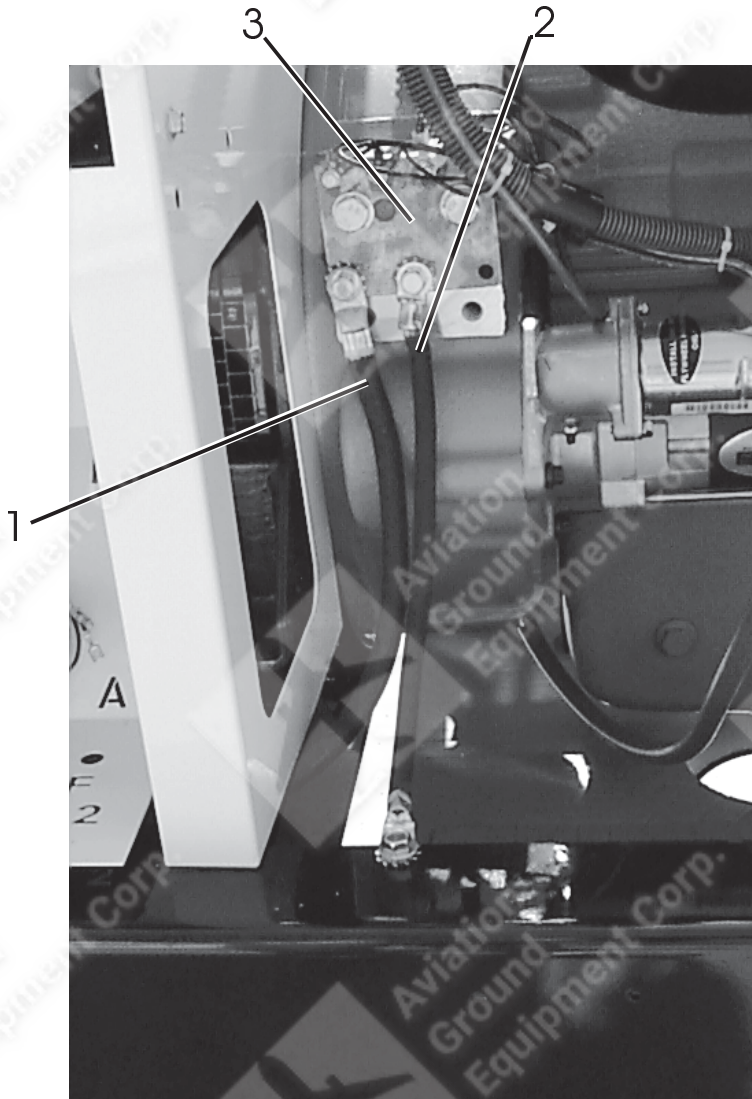
*** NOT ILLUSTRATED**



**Power Module Assembly
(Single Output)
Figure 11**

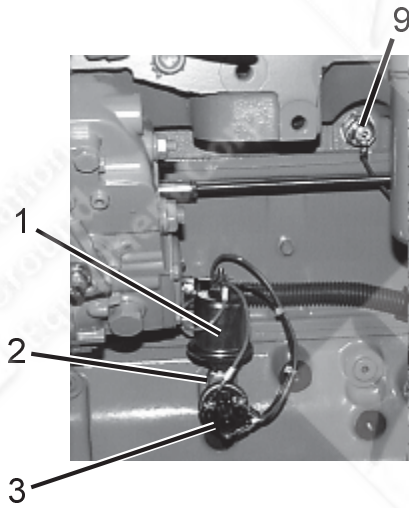
FIGURE & ITEM NO.	HOBART PART NO.	AIRLINE PART NO.	NOMENCLATURE						UNITS PER EFF ASSY	
			1	2	3	4	5	6		
11 -	287756		OUTPUT MODULE PANEL ASSEMBLY						1	
11 - 1	283127		. PANEL, OUTPUT MODULE						1	
11 - 2	404402-008		. RESISTOR, 50 OHM, 20 WATT (V91637 #RH-25, 50 OHM)						3	
11 - 3	1CZ148		. TRANSFORMER, CURRENT LINE DROP & OVERLOAD (V50508 #90-6170)						6	
11 - 4	HF2752		. MOUNT, SHOCK, RUBBER (V16238 #J-4624-105)						2	
11 - 5	404402-001		. RESISTOR, 16.6 OHM, 20 WATT (V91637 #RH-25, 16.6OHM)						3	
11 - 6	282130-001		. CONTACTOR, LINE, 3-POLE (V11641 #421F109137R)						1	
11 - 7	A25		. WASHER, INSULATING						14	
11 - 8	AW626		. BUSHING, INSULATING, NEUTRAL						2	
11 - 9	DW1704		. BUSHING, INSULATING, E-F						2	
11 - 10	84A1075		. MOUNT, SHOCK, RUBBER (V5P059 #51083)						4	
11 - 11	404065-002		. RECTIFIER, SILICON (V14552 #MB354CA)						1	
11 - 12	387738B		. BOARD, PC, OVERLOAD, ASSEMBLY						1	
11 - 13	401564-004		. HOUSING, SOCKET (V00779 #1-480287-0)						1	
11 - 14	180593-002		. CAPACITOR, 0.1 MFD, 500 VAC, ASSEMBLY						3	
11 - 15	287758		. RECEPTACLE ASSEMBLY, HARNESS						1	
11 - 16	401911-020		. BLOCK, TERMINAL (V30430 #0220081)						1	
11 - 17	AW626		. BUSHING, INSULATING, A-B-C						3	
* 11 - 18	76A1132		. TUBING, Z-FLEX, 3/4 DIA. (20", 17", and 13"pieces)						4.5'	
11 - 19	282089-010		. DIODE, FLYBACK						1	
11 - 20	W9746-003		. RESISTOR, 100-OHM, 25-W (V91637 #HL-25-062-100-5%)						1	
* 11 - 21	HF2752		. MOUNT, RUBBER (V5P059 #51153)						2	
* 11 - 22	W-9350-302		. CABLE, No. 101 PHASE "A"						1	
* 11 - 23	W-9350-312		. CABLE, No. 102 PHASE "B"						1	
* 11 - 24	W-9350-313		. CABLE, No. 103 PHASE "C"						1	
* 11 - 25	W-9350-301		. CABLE, No. 110 "NEUTRAL"						1	

* NOT ILLUSTRATED

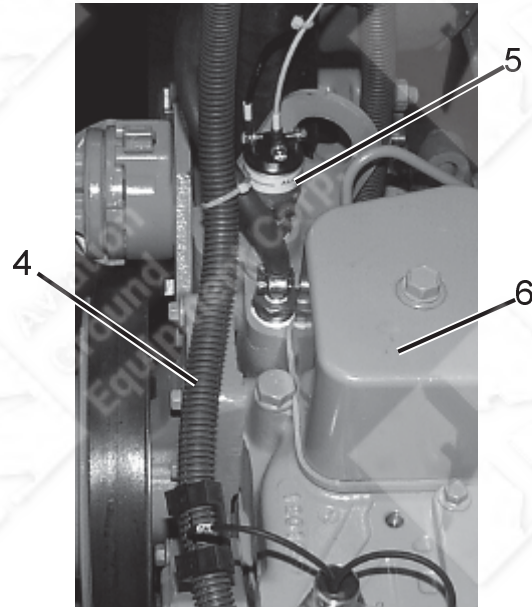


**Grounding Plate
and Cables
Figure 12**

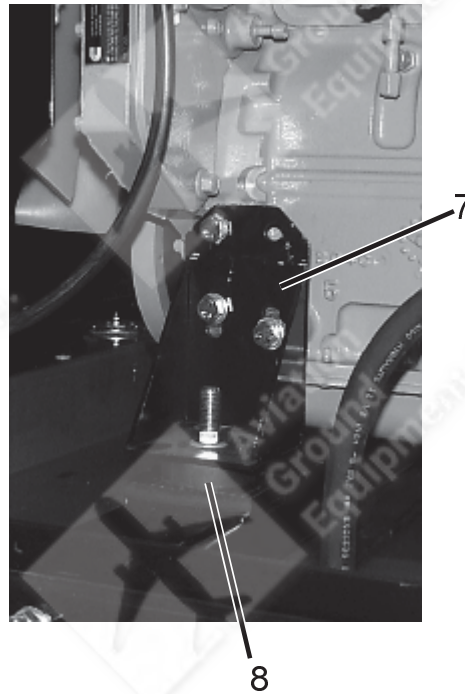
FIGURE & ITEM NO.	HOBART PART NO.	AIRLINE PART NO.	NOMENCLATURE						UNITS PER EFF ASSY	
			1	2	3	4	5	6		
12 -	No Number		GROUND PLATE COMPONENTS						REF	
12 - 1	W9360-289		.	CABLE, #111, POWER MOD. TO GROUND						1
12 - 2	W9407-446		.	CABLE, ENGINE TO GROUND						1
12 - 3	287735		.	PLATE, GROUND						1



Right Side of Engine



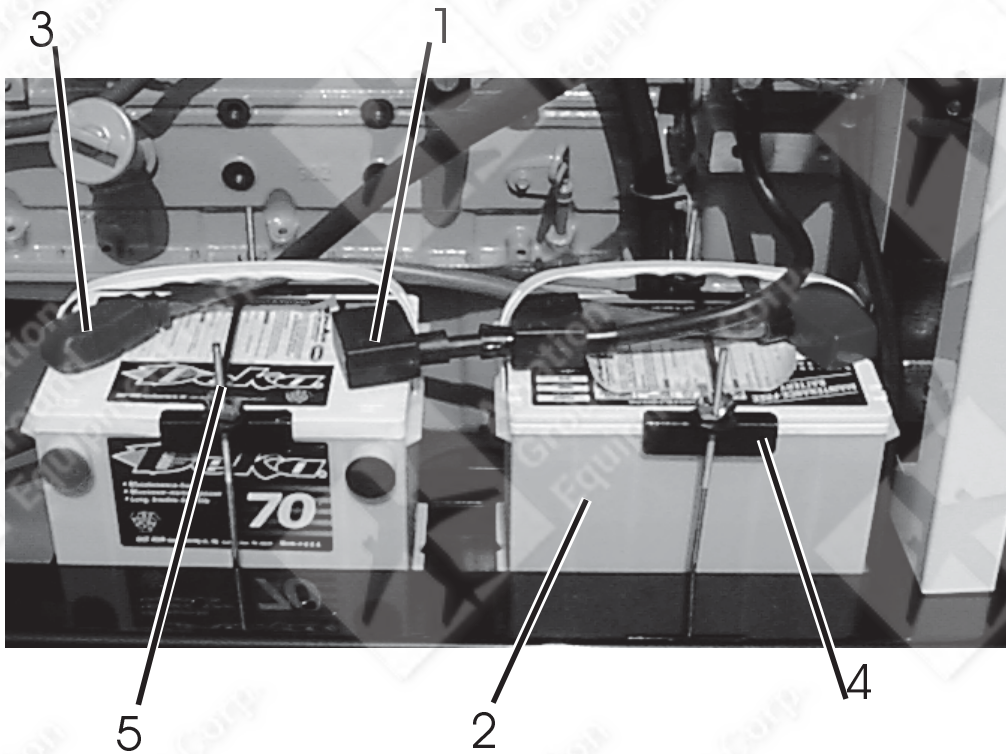
Top Front of Engine



Engine Components
Figure 13

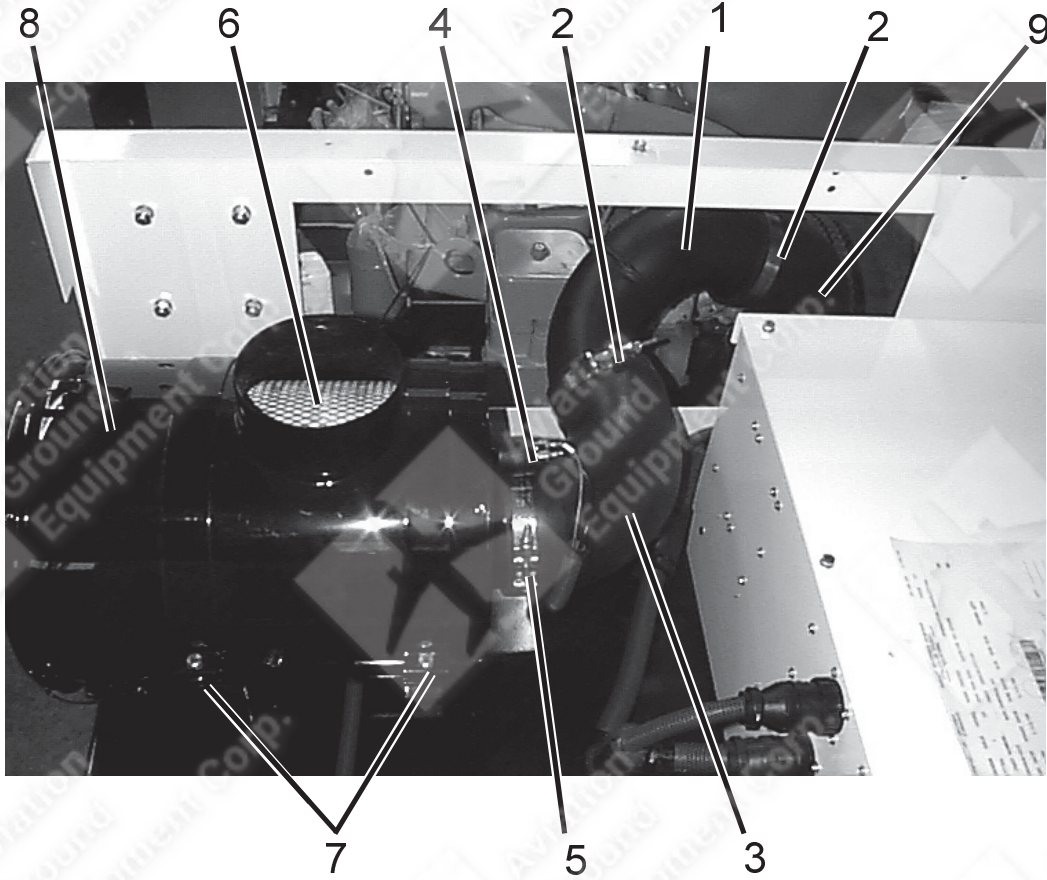
FIGURE & ITEM NO.	HOBART PART NO.	AIRLINE PART NO.	NOMENCLATURE						UNITS PER EFF ASSY	
			1	2	3	4	5	6	EFF	ASSY
13 -	No Number		ENGINE COMPONENTS						REF	
13 - 1	78B1118-002		.	OIL PRESSURE SENDER (V16476 #16476)					1	
13 - 2	W10910-0		.	TEE FITTING					1	
*	287419		.	ADAPTER, M10 X 1/8"					1	
*	W10750-001		.	NIPPLE, PIPE, 1/8"					1	
13 - 3	403809-001		.	SWITCH, OIL PRESSURE (V75418 #1042-08210-10)					1	
13 - 4	287708		.	ENGINE HARNESS					1	
13 - 5	403782-002		.	SWITCH, SHUT DOWN					1	
*	W7814-004		.	ADAPTER, 3/8" X 1/2"					1	
13 - 6	287611		.	ENGINE, CUMMINS					1	
*	287438		.	VALVE, OIL DRAIN (V1F4R5 #F104N)					1	
13 - 7	282852		.	MOUNT, ENGINE					2	
13 - 8	480603-002		.	SHOCK MOUNT (GREEN)					2	
*	480628		.	WASHER, SHOCK MOUNT					2	
13 - 9	78B1119-001		.	SENDER, WATER TEMP. (V16476 #02019)					1	
*	W7814-004		.	ADAPTER, 3/8" X 1/2"					1	

* NOT ILLUSTRATED



Battery Components
Figure 14

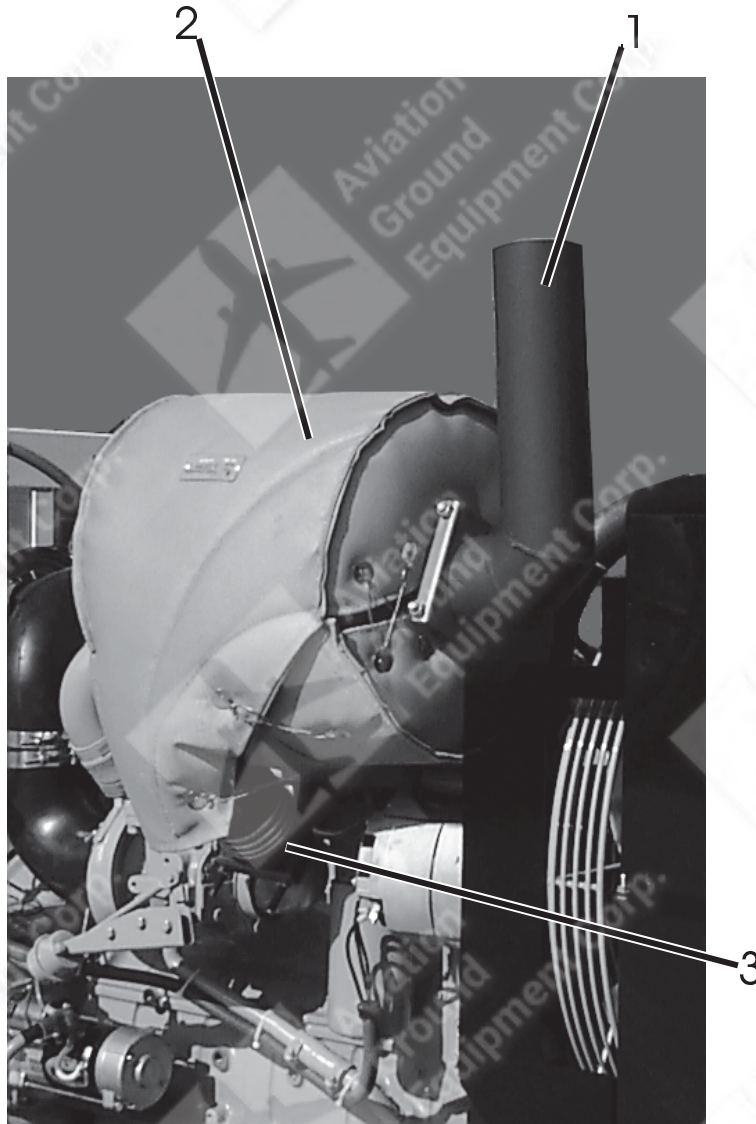
FIGURE & ITEM NO.	HOBART PART NO.	AIRLINE PART NO.	NOMENCLATURE						UNITS PER EFF ASSY	
			1	2	3	4	5	6	EFF	ASSY
14 -	No Number		BATTERY COMPONENTS						REF	
14 - 1	287797		.	NEGATIVE BATTERY CABLE ASSY.					1	
14 - 2	281881-001		.	BATTERY, 12V (V25710 #724DT)					2	
14 - 3	287740		.	POSITIVE BATTERY CABLE					1	
14 - 4	287796		.	BATTERY HOLD DOWN (V25710 #BHCB)					2	
14 - 5	494295		.	BATTERY SUPPORT ROD					2	



Air Cleaner Components
(Viewed from the top front of unit)
Figure 15

FIGURE & ITEM NO.	HOBART PART NO.	AIRLINE PART NO.	NOMENCLATURE						UNITS PER EFF ASSY	
			1	2	3	4	5	6		
15 -	No Number		AIR CLEANER COMPONENTS						REF	
15 - 1	287531		.							1
15 - 2	280732-006		.							5
15 - 3	284925		.							1
15 - 4	282918		.							1
15 - 5	280732-007		.							1
15 - 6	287548		.							REF
15 - 7	284923		.							2
15 - 8	286061		.							1
15 - 9	287371		.							2
* 15 - 10	284461		.							1

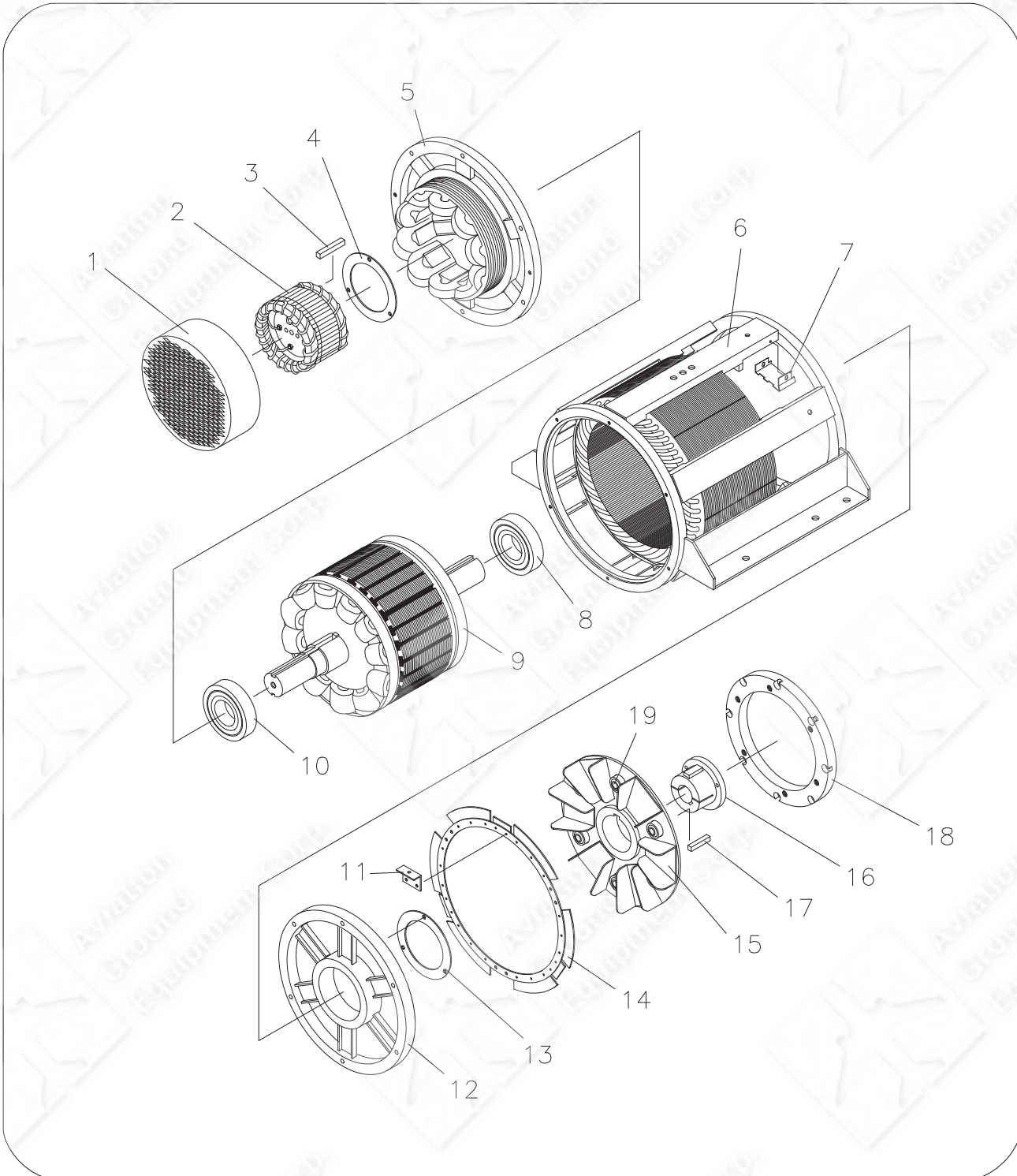
*** NOT ILLUSTRATED**



Muffler and Exhaust Components
Figure 16

FIGURE & ITEM NO.	HOBART PART NO.	AIRLINE PART NO.	NOMENCLATURE						UNITS PER EFF ASSY	
			1	2	3	4	5	6	EFF	ASSY
16 -	No Number		MUFFLER & EXHAUST COMPONENTS						REF	
16 - 1	287596		.							1
16 - 2	287597		.							1
16 - 3	287624		.							1
*	404154-013		.							1

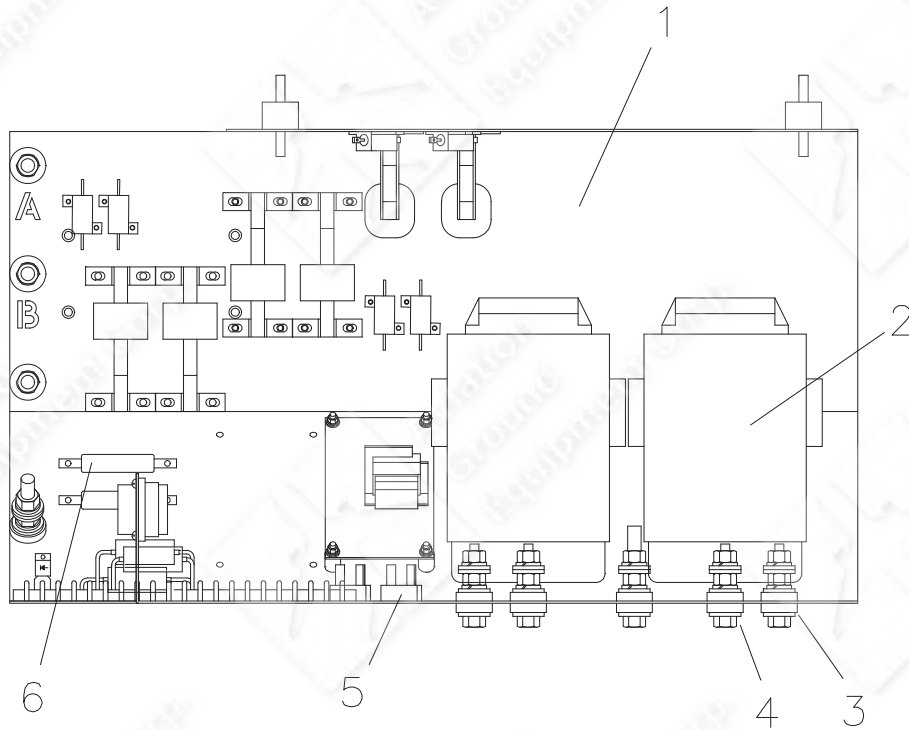
* NOT ILLUSTRATED



Generator Assembly
Figure 17

FIGURE & ITEM NO.	HOBART PART NO.	AIRLINE PART NO.	NOMENCLATURE						UNITS PER EFF ASSY
			1	2	3	4	5	6	
17 -	285120A-006		GENERATOR, 2400 RPM, 90kVA, DUAL BEARING						1
	286092		GENERATOR, 90KVA, (REPLACEMENT ONLY)						REF
17- 1	281698		.	COVER, EXCITER					1
17- 2	282132		.	EXCITER ARMATURE ASSEMBLY					1
17- 3	180696-002		.	KEY, EXCITER					1
17- 4	282128		.	RETAINER, BEARING					1
17- 5	285121		.	EXCITER HOUSING					1
17- 6	287724		.	HOUSING AND STATOR ASSEMBLY					1
17- 7	283620		.	AIR DEFLECTOR					6
17- 8	W10072-068		.	BEARING, GENERATOR					1
17- 9	281690A-006		.	ARMATURE ASSEMBLY					1
17- 10	W10072-068		.	BEARING, GENERATOR					1
17- 11	283560		.	BRACKET, SHROUD MTG.					3
17- 12	287729		.	FRONT BEARING SUPPORT					1
17- 13	282128		.	RETAINER, BEARING					1
17- 14	283546		.	SHROUD, FAN, ASSEMBLY					1
17- 15	281701		.	KIT, FLEX COUPLING					1
17- 16	85C1004-001		.	BUSHING, SPLIT TAPER (PART OF ITEM 15)					1
17- 17	85B1039		.	KEY, BUSHING					1
17- 18	386612		.	FLEX COUPLING RING SPACER					1
17- 19	483756		.	KIT, BUSHING REPLACEMENT (6 BUSHINGS)					REF
* 17- 20	281699		.	COVER, GENERATOR					1
* 17- 21	480603-001		.	GENERATOR SHOCK MOUNT					4
* 17- 22	480628		.	WASHER, SHOCK MOUNT					4

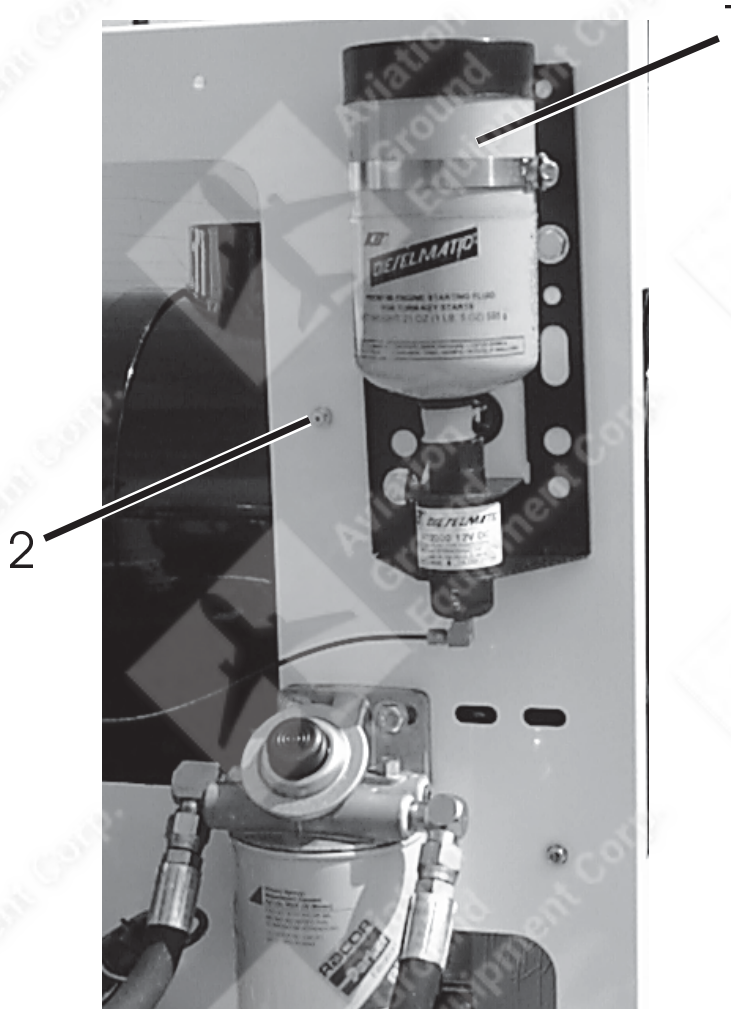
* NOT ILLUSTRATED



**Power Module
Second Output Kit
Figure 18**

FIGURE & ITEM NO.	HOBART PART NO.	AIRLINE PART NO.	NOMENCLATURE						UNITS PER EFF ASSY	
			1	2	3	4	5	6	EFF	ASSY
18 -	284244		KIT, SECOND OUTPUT, POWER MODULE						B,D	1
18 - 1	287756		. OUTPUT MODULE, SINGLE OUTPUT.						B,D	REF
18 - 2	282130-001		. CONTACTOR, LINE, 3 POLE (V11641 #421F109137R)						B,D	1
18 - 3	A25		. WASHER, INSULATING						B,D	4
18 - 4	DW1704		. BUSHING, INSULATING, E-F						B,D	2
18 - 5	404065-002		. RECTIFIER, SILICON (V14552 #MB354CA)						B,D	1
18 - 6	W9746-003		. RESISTOR, 100 OHM, 25W (V91637 #HL-25-062-100-5%)						B,D	1
* 18 - 7	W9350-313		. CABLE, 1/0						B,D	3

* NOT ILLUSTRATED



Quick Start Components
Figure 19

FIGURE & ITEM NO.	HOBART PART NO.	AIRLINE PART NO.	NOMENCLATURE						UNITS PER EFF ASSY	
			1	2	3	4	5	6	EFF	ASSY
19 -	No Number		COLD WEATHER START COMPONENTS						A,B,C,D	REF
19 - 1	408506		.	COLD WEATHER START KIT					A,B,C,D	1
18 - 2	409527-003		.	CIRCUIT BREAKER, 15A					A,B,C,D	1
* 18 - 3	W7814-010		.	BUSHING, PIPE, 3/4" X 1/8"					A,B,C,D	1
* NOT ILLUSTRATED										

This page intentionally left blank.

Section 3. Numerical Index

1. Explanation of Numerical Index

The purpose of this index is to assist the user in finding the illustration and description of a part when the part number is known. Part numbers are arranged in numeric-alpha sequence. Thus, any number beginning with the letter "A" would be located toward the end of the index list. On the other hand, a part number starting with a "1" would be listed near the beginning of the list. The figure number and item number location of the part is directly opposite the part. If the part is used more than one place, each location beginning with the first is listed.

Figure & Item Number	Part Number	Figure & Item Number	Part Number
9 - 4	056544	3-6	283647
9 - 8	056544	3-15	283824
9 - 10	12CW2077-003	10 - 9	283873
9 - 6	12CW2077-003	6-19	283978-001
11-14	180593-002	6-18	283978-002
17-3	180696-002	8-1	283990-001
6-32	181158	7-7	284223
8-4	181891-003	18-	284244
11-3	1CZ148	4A-3	284244
15-2	280732-006	15 -10	284461
15-5	280732-007	5A- 9	284475-001
17-9	281690A-006	6a- 5	284475-001
17-1	281698	5A-11	284475-002
17-20	281699	5A-10	284475-003
17-15	281701	2-25	284486-001
8 - 7	281751-003	6-25	284908A
7-8	281772	15-7	284923
7-6	281775	15-3	284925
7-2	281776	6- 2	284935
14-2	281881-001	6-17	284937
11-19	282089-010	6- 1	284970
17-13	282128	5A- 1	285029-001
17-4	282128	6a - 1	285029-001
11-6	282130-001	5A- 3	285030-001
18 - 2	282130-001	5A- 2	285030-002
17-2	282132	5A- 5	285030-003
2-5	282562	6a - 8	285030-004
1 - 21	282658	5A- 6	285031-001
1 - 22	282659	6a - 2	285031-001
3-3	282732-001	5A- 7	285032-001
6-15	282800A-001	6a- 3	285032-001
13 - 7	282852	5A- 8	285033
15-4	282918	6a - 4	285033
11-1	283127	5A-13	285034-001
5- 9	283167	6a - 6	285034-001
1 - 23	283533	8-6	285062-001
17-14	283546	8 - 8	285063A-003
17-11	283560	5-10	285080
3-16	283597	17-	285120A-006
17-7	283620	4B-12	285120A-006

324 South Service Road, Unit 104 Melville NY 11747

TEL (631) 815-5520 • FAX (631) 815-5526

E-mail: sales@aviationgroundequip.com

Web: www.aviationgroundequip.com

Figure & Item Number	Part Number
17-5	285121
1 - 4	285125
8-5	285141
5-11	285172
6-31	285186
4A - 6	285200
7 - 3	285436
5-14	285501
6-13	285627
1 - 5	285681
5-12	286017
15-8	286061
17-	286092
7 - 4	286616
10 - 8	286654
3-21	286834
7 - 1	286840-001
7 - 5	286840-002
9 - 9	286851
9 - 13	286897-004
9 - 14	286897-005
5-18	287038-001
1 - 8	287048
6-27	287075-001
4A-1	287087
6a-	287087
6-35	287133
10-10	287333
15 - 9	287371
13- 2	287419
3-5	287422
2-7	287424
2-10	287437
13 - 6	287438
10-4	287453
1 - 24	287454
1 - 11	287459
1 - 15	287460
1 - 16	287461
1 - 17	287462
1 - 18	287463
1 - 19	287464
1 - 28	287465
1 - 20	287466
2-8	287506
3-18	287526-002
15-1	287531
4B-6	287532-002
8-	287532-002
3-19	287542-001
3-19	287542-002

Figure & Item Number	Part Number
15-6	287548
1 - 29	287571
9-1	287592-001
16-1	287596
16-2	287597
13 - 6	287611
10-5	287612
10 - 6	287619
10 - 7	287620
16-3	287624
9-1	287639
9-2	287641
10-4	287656
10 - 3	287659
10 - 3	287660
2-27	287687-001
1 - 27	287696
3-23	287698-001
3-2	287699
3-1	287701
3-13	287703
3-22	287704
3-4	287705
2-1	287706
2-3	287707
13 - 4	287708
1 - 30	287709
3-20	287710
2-12	287713
17-6	287724
17-12	287729
12-3	287735
3-1	287738-001
3-20	287738-002
2-9	287738-003
3-13	287738-004
3-22	287738-005
3-4	287738-006
3-4	287738-007
2-1	287738-008
2-1	287738-009
2-1	287738-010
3-2	287738-011
2-11	287738-015
2-9	287739
14-3	287740
4B - 13	287747
4B - 14	287748
4A-1	287749-003
5 -	287749-003
6 -	287749-003
5- 1	287752-003

Figure &
Item Number Part Number

5- 3	287753
2-26	287754
11-	287756
18 - 1	287756
4A-3	287756
11-15	287758
10-1	287780
2-6	287781
9 - 11	287781
3-14	287785
3 - 24	287786
3 - 26	287788
3 - 27	287789
3 - 30	287790
3 - 28	287791
3 - 29	287792
3-12	287793
3-10	287794
2-4	287795
14-4	287796
14-1	287797
2-11	287798
2-2	287802
2-13	287803
9-3	287804
10 - 11	287805
10 - 12	287806
3-11	287819
3-8	287889
5-4	287908
10 - 3	287913
10 - 3	287914
6-23	30GH-1262
6- 9	375426-003
17-18	386612
10 - 9	386751
6- 8	387736C
11-12	387738A
6a - 9	400292-004
6-21	400292-006
5A-12	400613-004
6a - 7	400613-004
2-28	400613-016
9 - 5	400819-003
6-33	400826-001
6-34	400828-001
6-26	401564-003
11-13	401564-004
6-11	401564-004
6- 7	401564-005
11-16	401911-020
4B - 15	401911-020

Figure &
Item Number Part Number

6-16	401911-020
6-30	401923-003
6-22	40201
2-14	402037-028
6-20	402662
10 -2	402927-003
1 - 9	402987
3-17	403091-008
3 - 25	403091-017
3-7	403127
3-9	403127
13- 5	403782-002
13 - 3	403809-001
11-11	404065-002
18 - 5	404065-002
16-3	404154-013
11-5	404402-001
11-2	404402-008
6-28	405699
6-14	406807-002
4A - 5	408173
19 - 1	408506
1 - 25	408665-001
1 - 26	408665-002
18 - 2	409527-003
1 - 14	430077-002
17-21	480603-001
13 - 8	480603-002
13 - 8	480628
17-22	480628
6-12	482038A
6-10	482039C
8-3	482989
17-19	483756
9 - 12	486719-005
6-29	489658-002
2-24	494134-001
14-5	494295
1-	500392A-001
1-	500392A-002
1-	500392A-003
1-	500392A-004
1 -	500392A-005
6-24	50GHP-206
10 -2	56534
10 - 9	56535
11-18	76A1132
1 - 13	76B1148
1 - 6	77A1157
1 - 10	78A1000
5- 8	78A1115-001
5- 7	78A1117-002

324 South Service Road, Unit 104 Melville NY 11747

TEL (631) 815-5520 • FAX (631) 815-5526

E-mail: sales@aviationgroundequip.com

Web: www.aviationgroundequip.com

Figure & Item Number	Part Number
13- 1	78B1118-002
13- 9	78B1119-001
1 - 12	79A1110
6- 5	79A-1164
6- 3	79B-1159-1
6- 4	79B-1159-2
6- 6	79B-1159-6
5-15	79C1158
3 - 24	7J422-000
3 - 24	7J422-000
10 - 9	80A1117
11-10	84A1075
8-2	84A1075
17-17	85B1039
17-16	85C1004-001
11-7	A25
18 - 3	A25
11- 8	AW626
11-17	AW626
1 - 7	DDW495-001
11- 9	DW1704
18 - 4	DW1704
5- 5	HF2518-002
11-21	HF2752
11-4	HF2752
4A-1	HF-2752
4A-3	HF-2752
5A- 4	NOT USED

Figure & Item Number	Part Number
5-22	W10051-010
5- 2	W10051-013
17-10	W10072-068
17-8	W10072-068
13- 2	W10750-001
9 - 7	W10760-003
10 - 3	W10869-003
10 - 3	W10869-005
9 - 4	W10869-014
9 - 8	W10869-014
10 - 9	W10869-014
10 - 2	W10869-014
13- 2	W10910-0
10 - 2	W-7814-000
13- 5	W7814-004
13- 9	W7814-004
18 - 3	W7814-010
10 - 2	W-7814-011
5-13	W8105A-004
11 - 25	W-9350-301
11 - 22	W-9350-302
11 - 23	W-9350-312
18 - 7	W9350-313
11 - 24	W-9350-313
12-1	W9360-289
12-2	W9407-446
11 - 20	W9746-003
18 - 6	W9746-003
5- 6	W9917-018